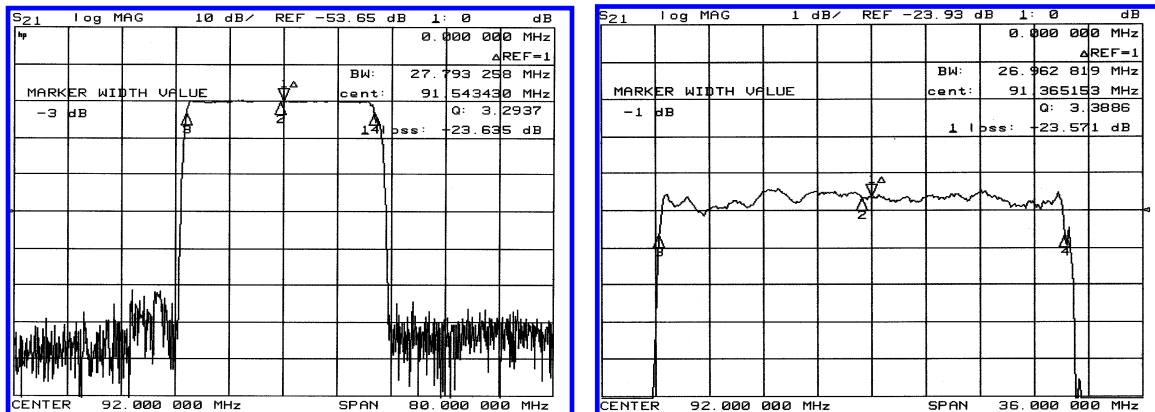


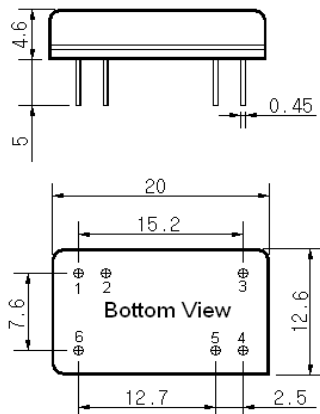
Typical Performance



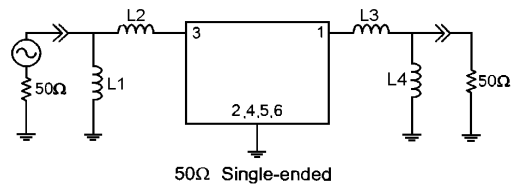
Specification

Parameter	Unit	Min.	Typ.	Max.
Center Frequency	Mhz	-	92.00	-
Insertion Loss	dB	-	24.00	25.50
1dB Bandwidth	Mhz	-	26.96	-
3dB Bandwidth	Mhz	-	27.80	-
40dB Bandwidth	Mhz	-	30.67	-
50dB Bandwidth	Mhz	-	30.90	-
Passband Ripple	dB	-	0.65	1.00
Group Delay Variation	nsec	-	50	100
Absolute Delay	µsec	-	2.6	-
Ultimate Attenuation	dB	50	55	-
Substrate Material	-	128-LiNbO ₃		
Temperature Coefficient	ppm/°C	-72		

Package Dimension



Matching Configuration



L1=0.18µH, L2=68nH, L3=82nH, L4=0.18µH
 Source / Load Impedance = 50Ω
 Ambient Temperature = 25°C

01/14/2005

