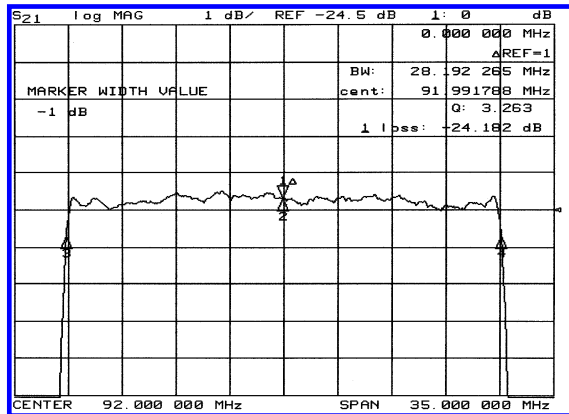
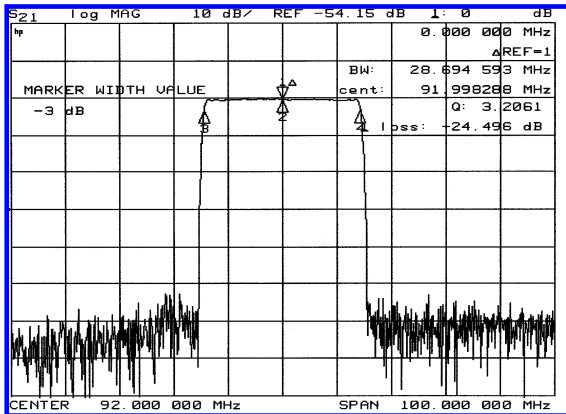


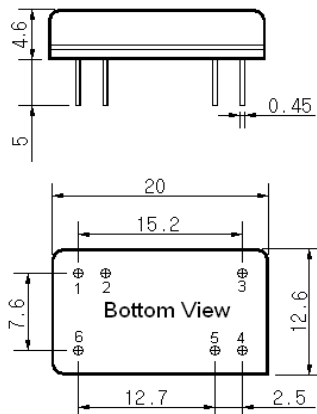
### Typical Performance



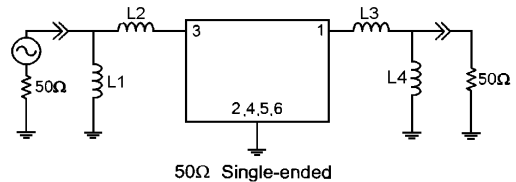
### Specification

Parameter	Unit	Min.	Typ.	Max.
Center Frequency	Mhz	91.90	92.00	92.10
Insertion Loss	dB	-	24.50	26.00
1dB Bandwidth	Mhz	28.00	28.19	-
3dB Bandwidth	Mhz	28.50	28.70	-
40dB Bandwidth	Mhz	-	30.75	31.00
50dB Bandwidth	Mhz	-	30.92	-
Passband Ripple	dB	-	0.65	1.00
Group Delay Variation	nsec	-	50	100
Absolute Delay	µsec	-	2.6	-
Ultimate Attenuation	dB	50	55	-
Substrate Material	-	128-LiNbO <sub>3</sub>		
Temperature Coefficient	ppm/°C	-72		

### Package Dimension



### Matching Configuration



L1=470nH, L2=100nH, L3=56nH, L4=0.18µH  
 Source / Load Impedance = 50Ω  
 Ambient Temperature = 25°C

01/31/2005

