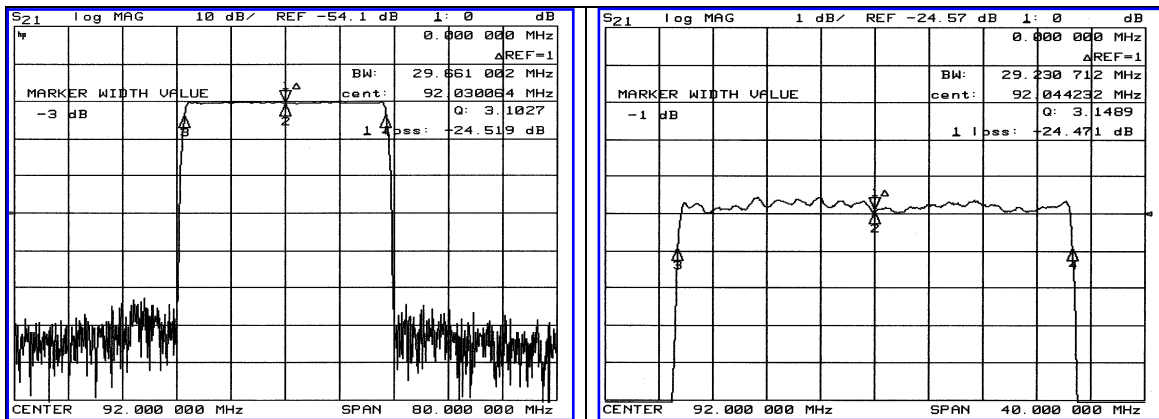


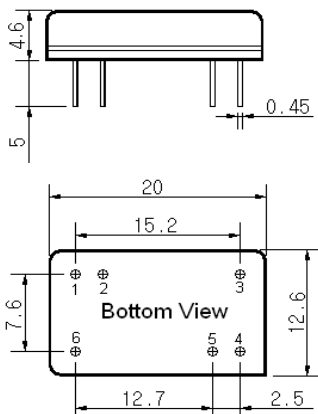
Typical Performance



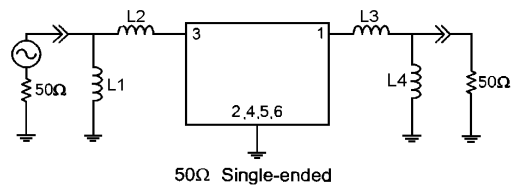
Specification

Parameter	Unit	Min.	Typ.	Max.
Center Frequency	Mhz	91.90	92.00	92.10
Insertion Loss	dB	-	24.50	26.00
1dB Bandwidth	Mhz	-	29.23	-
3dB Bandwidth	Mhz	29.50	29.66	-
40dB Bandwidth	Mhz	-	31.51	32.00
50dB Bandwidth	Mhz	-	31.70	-
Passband Ripple	dB	-	0.55	1.00
Group Delay Variation	nsec	-	50	100
Absolute Delay	µsec	-	2.6	-
Ultimate Attenuation	dB	50	55	-
Substrate Material	-	128-LiNbO ₃		
Temperature Coefficient	ppm/°C	-72		

Package Dimension



Matching Configuration



L1=270nH, L2=68nH, L3=68nH, L4=270nH
 Source / Load Impedance = 50Ω
 Ambient Temperature = 25°C

02/22/2005

