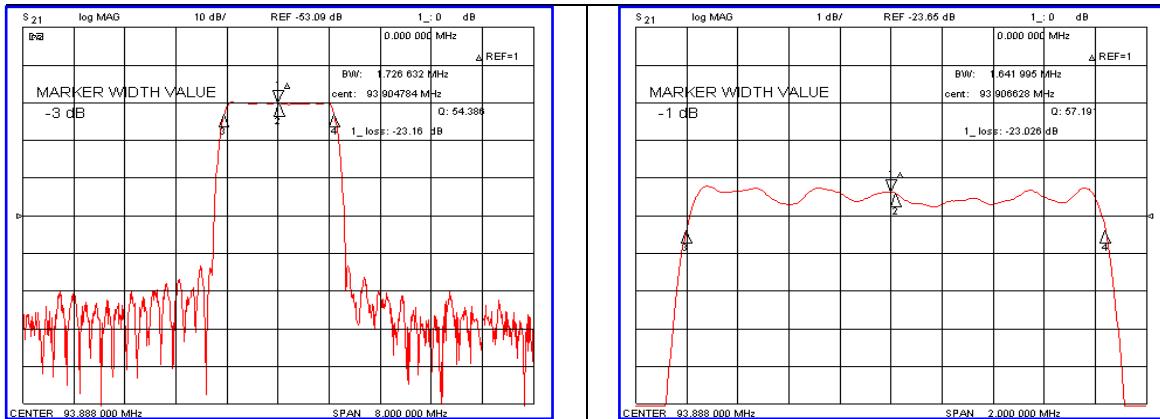


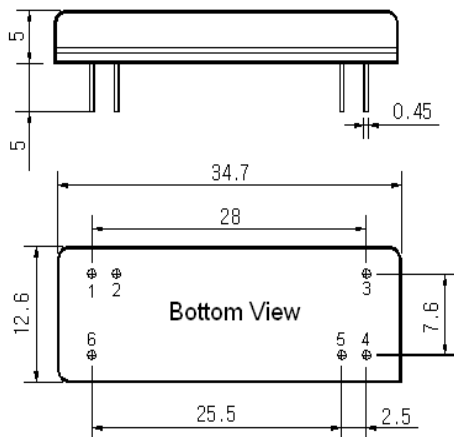
## Typical Performance



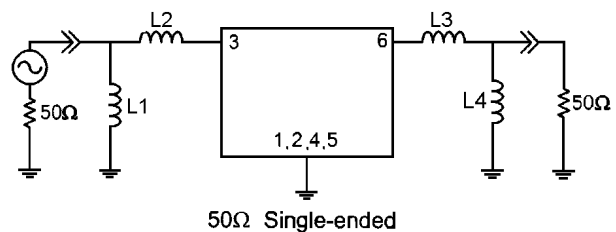
## Specification

Parameter	Unit	Min.	Typ.	Max.
Center Frequency	MHz	93.808	93.888	93.996
Insertion Loss	dB	-	23.16	25.00
1dB Bandwidth	MHz	1.55	1.64	-
3dB Bandwidth	MHz	-	1.72	-
10dB Bandwidth	MHz	-	1.86	1.95
30dB Bandwidth	MHz	-	2.03	2.15
Passband Ripple	dB	-	0.55	1.00
Group Delay Variation	nsec	-	250	350
Absolute Delay	usec	-	4.87	-
Ultimate Attenuation	dB	40	43	-
Substrate Material	-	Quartz		
Temperature Coefficient	ppm/°C	-0.03		

## Package Dimension



## Matching Configuration



L1=47nH, L2=22nH, L3=15nH, L4=47nH  
 Source / Load Impedance = 50Ω  
 Ambient Temperature = 25°C

Rev.0 090729

