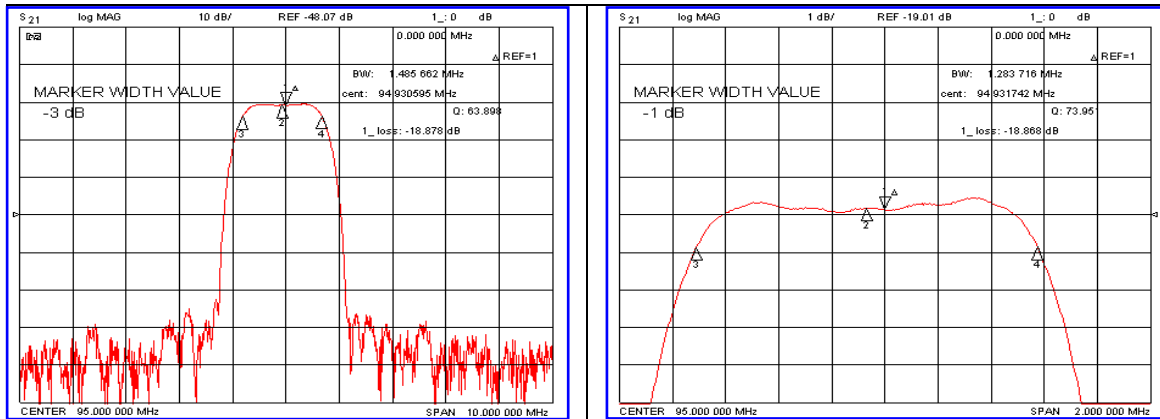


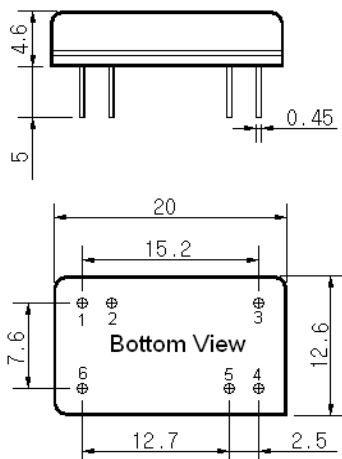
Typical Performance



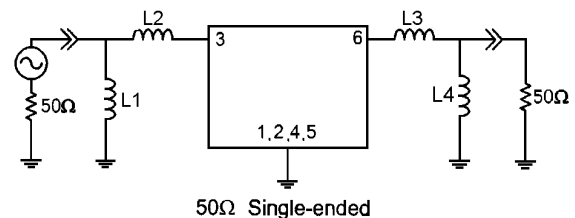
Specification

Parameter	Unit	Min.	Typ.	Max.
Center Frequency	MHz	94.90	95.00	95.10
Insertion Loss	dB	-	18.90	22.00
1dB Bandwidth	MHz	-	1.28	-
3dB Bandwidth	MHz	1.30	1.48	-
40dB Bandwidth	MHz	-	2.30	2.50
Passband Ripple	dB	-	0.50	1.00
Group Delay Variation	nsec	-	150	250
Absolute Delay	µsec	-	2.49	-
Ultimate Attenuation	dB	50	52	-
Substrate Material	-	Quartz		
Temperature Coefficient	ppm/°C ²	-0.03		

Package Dimension



Matching Configuration



L1=82nH, L2=56nH, L3=39nH, L4=68nH
 Source / Load Impedance = 50Ω
 Ambient Temperature = 25°C

Rev0.070711

