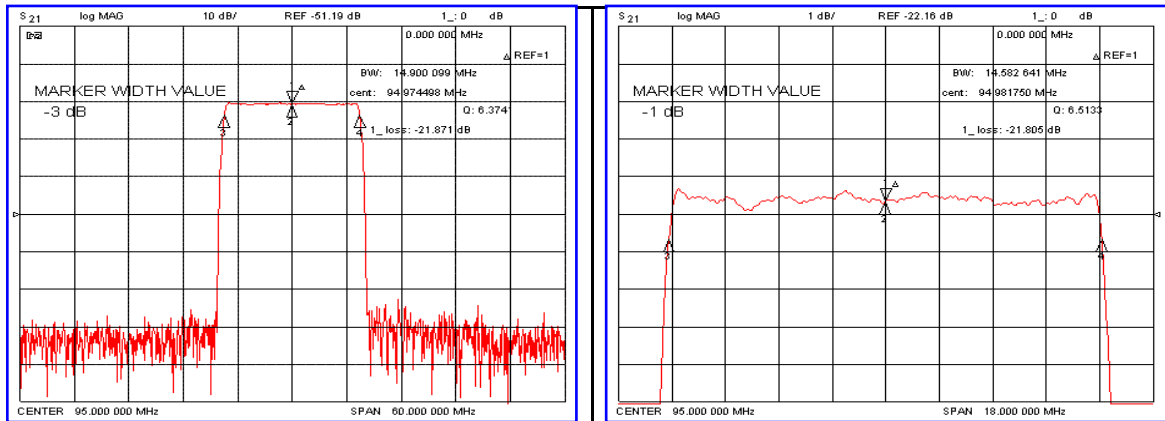


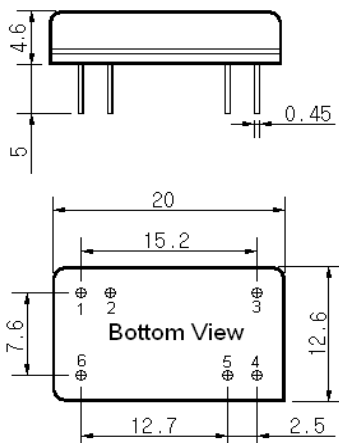
Typical Performance



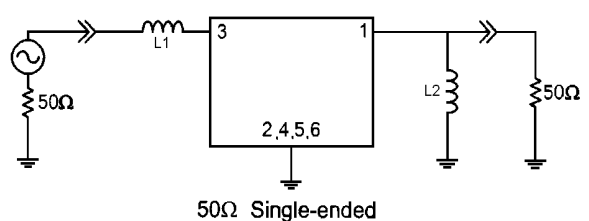
Specification

Parameter	Unit	Min.	Typ.	Max.
Center Frequency	MHz	94.90	95.00	95.10
Insertion Loss	dB	-	21.80	24.00
1dB Bandwidth	MHz	-	14.58	-
3dB Bandwidth	MHz	14.70	14.90	-
40dB Bandwidth	MHz	-	16.26	16.50
Passband Ripple	dB	-	0.55	1.00
Group Delay Variation	nsec	-	50	100
Absolute Delay	μsec	-	2.13	-
Ultimate Attenuation	dB	50	55	-
Substrate Material	-	128-LiNbO ₃		
Temperature Coefficient	ppm/°C	-72		

Package Dimension



Matching Configuration



L1=47nH, L2=120nH
Source / Load Impedance = 50Ω
Ambient Temperature = 25°C

09/08/2006

