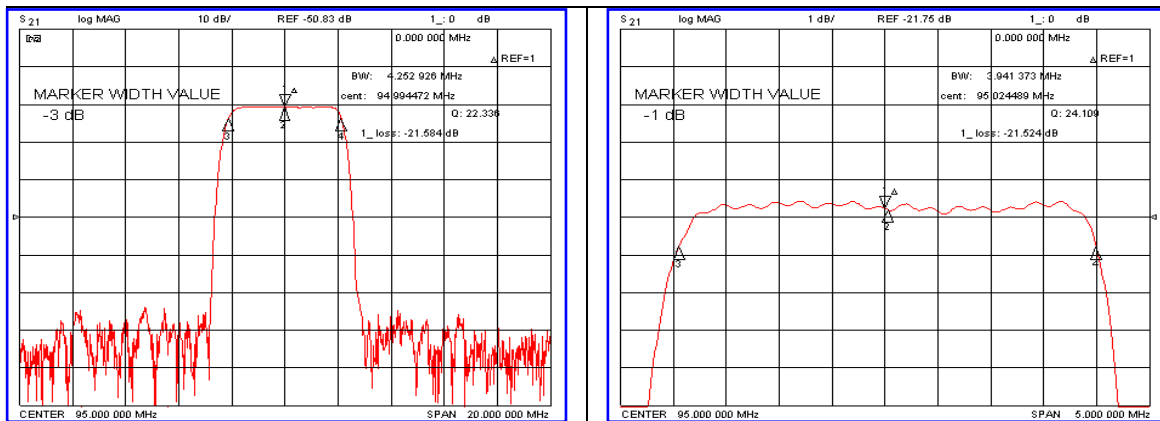


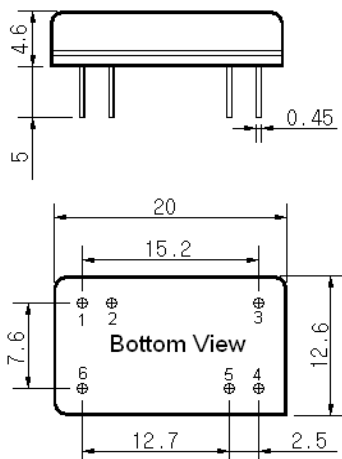
Typical Performance



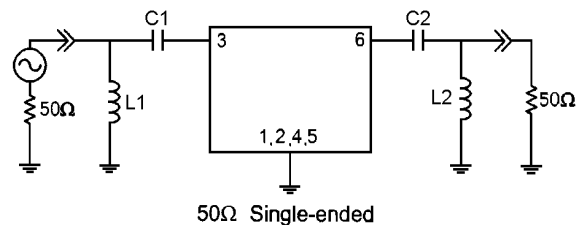
Specification

Parameter	Unit	Min.	Typ.	Max.
Center Frequency	MHz	94.90	95.00	95.10
Insertion Loss	dB	-	21.60	24.00
1dB Bandwidth	MHz	-	3.94	-
3dB Bandwidth	MHz	4.00	4.25	-
40dB Bandwidth	MHz	-	5.35	5.50
Passband Ripple	dB	-	0.45	1.00
Group Delay Variation	nsec	-	100	200
Absolute Delay	μsec	-	2.05	-
Ultimate Attenuation	dB	50	52	-
Substrate Material	-	112-LiTaO ₃		
Temperature Coefficient	ppm/°C ²	-20		

Package Dimension



Matching Configuration



L1=L2=56nH, C1=C2=100pF
 Source / Load Impedance = 50Ω
 Ambient Temperature = 25°C

Rev0.070711

