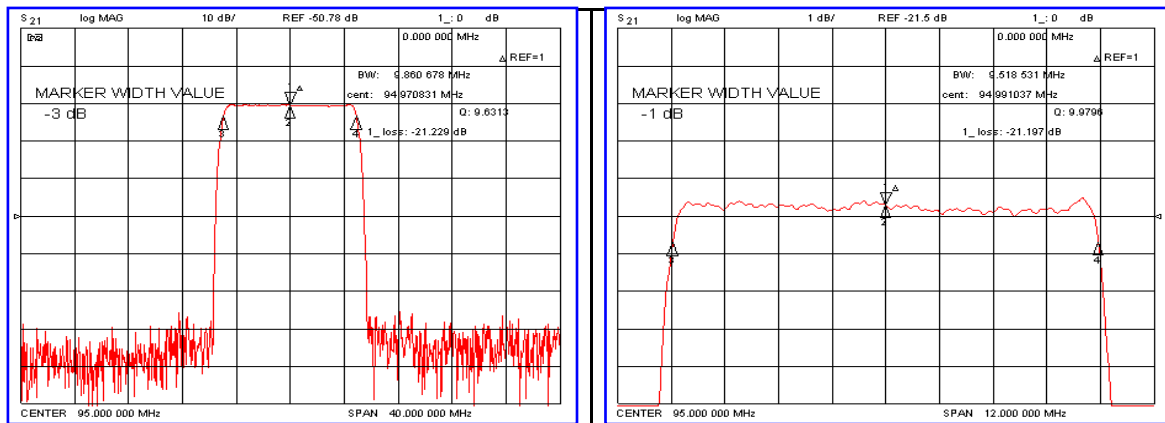


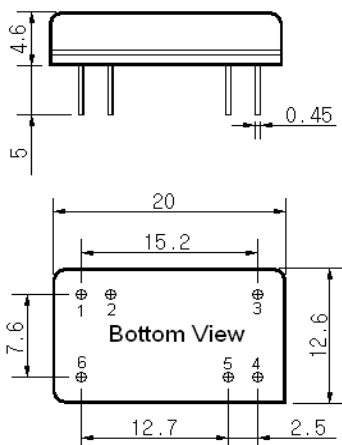
Typical Performance



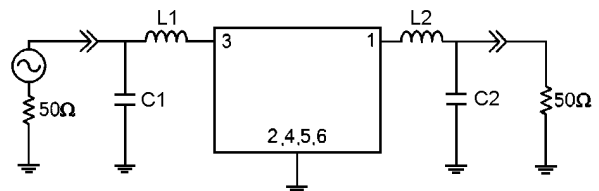
Specification

Parameter	Unit	Min.	Typ.	Max.
Center Frequency	MHz	94.90	95.00	95.10
Insertion Loss	dB	-	21.22	24.00
1dB Bandwidth	MHz	-	9.51	-
3dB Bandwidth	MHz	9.70	9.86	-
40dB Bandwidth	MHz	-	11.21	11.50
Passband Ripple	dB	-	0.55	1.00
Group Delay Variation	nsec	-	65	120
Absolute Delay	μsec	-	2.17	-
Ultimate Attenuation	dB	50	55	-
Substrate Material	-	128-LiNbO ₃		
Temperature Coefficient	ppm/°C	-72		

Package Dimension



Matching Configuration



50Ω Single-ended

L1=L2=47nH, C1=C2=20pF
 Source / Load Impedance = 50Ω
 Ambient Temperature = 25°C

09/08/2006

