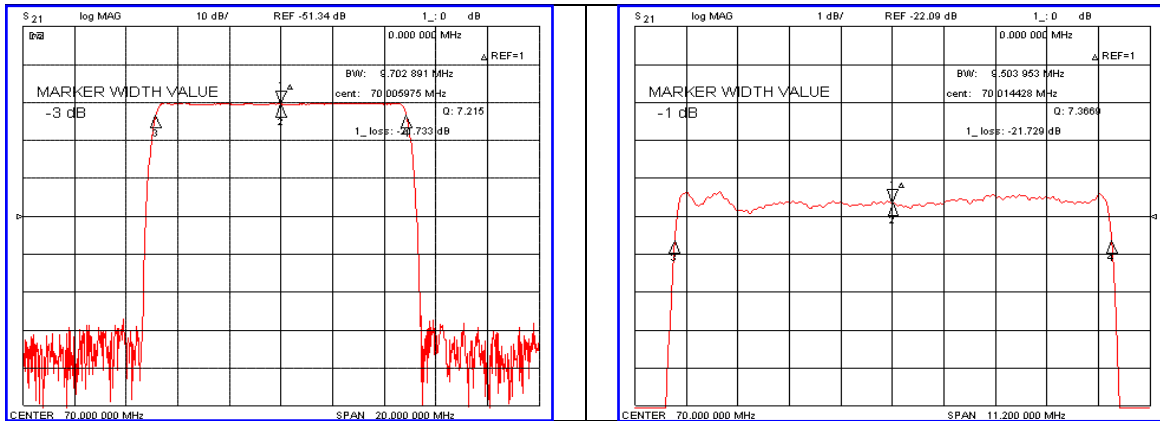


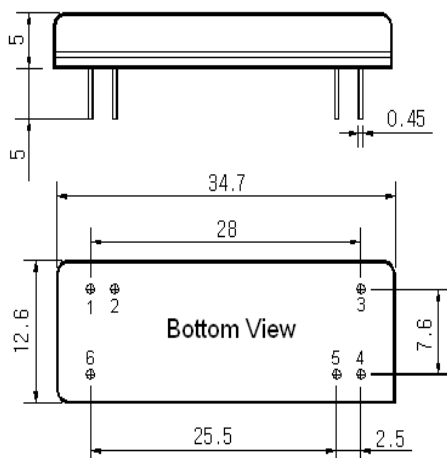
Typical Performance



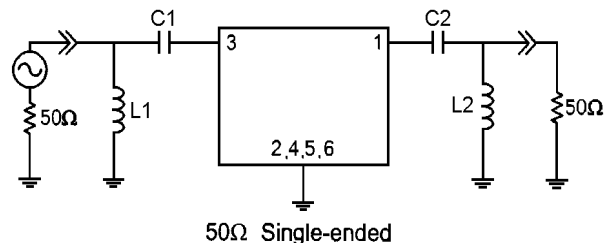
Specification

| Parameter | Unit | Min. | Typ. | Max. |
|------------------------------------|--------|------------------------|-------|-------|
| Center Frequency | MHz | - | 70.00 | - |
| Insertion Loss | dB | - | 21.80 | 23.50 |
| 1dB Bandwidth | MHz | 9.40 | 9.50 | - |
| 3dB Bandwidth | MHz | - | 9.70 | - |
| 40dB Bandwidth | MHz | - | 10.62 | 10.80 |
| Passband Ripple(Fc±4.375MHz) | dB | - | 0.60 | 1.00 |
| Group Delay Variation(Fc±4.375MHz) | nsec | - | 70 | 150 |
| Absolute Delay | usec | - | 3.47 | - |
| Ultimate Attenuation | dB | 50 | 55 | - |
| Substrate Material | - | 128-LiNbO ₃ | | |
| Temperature Coefficient | ppm/°C | -72 | | |

Package Dimension



Matching Configuration



L1=150nH, L2=180nH, C1=120pF, C2=120pF
 Source / Load Impedance = 50Ω
 Ambient Temperature = 25°C

Rev.0 100106

