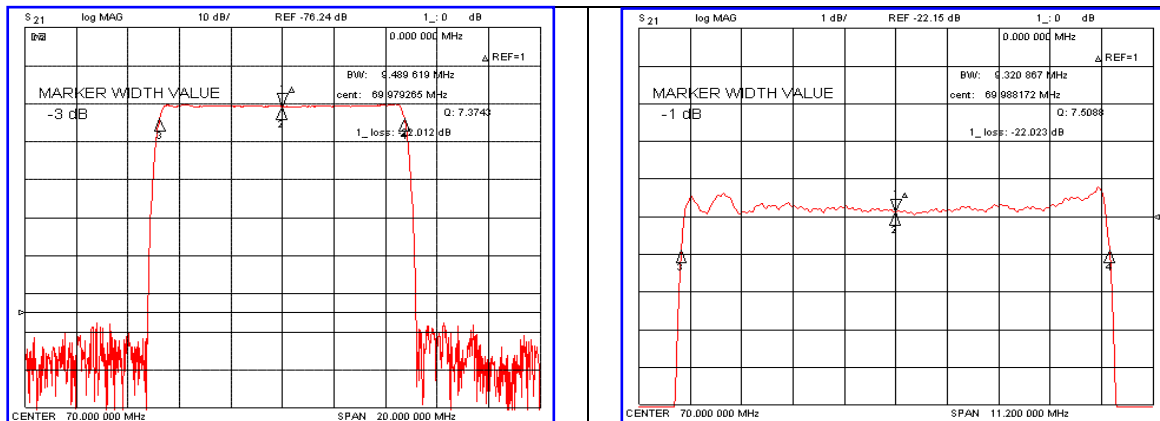


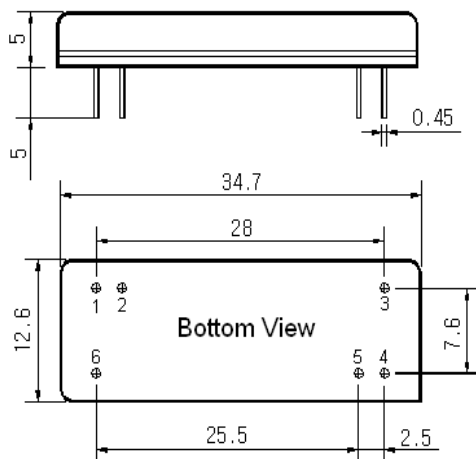
Typical Performance



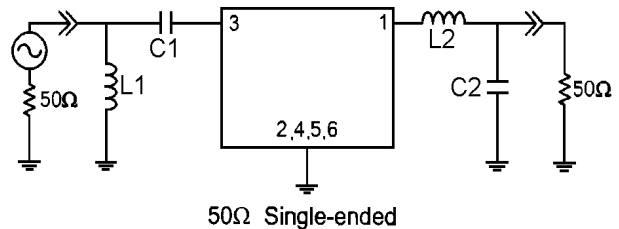
Specification

Parameter	Unit	Min.	Typ.	Max.
Center Frequency	MHz	-	70.00	-
Insertion Loss	dB	-	22.50	25.00
1dB Bandwidth	MHz	9.20	9.32	-
3dB Bandwidth	MHz	-	9.48	-
40dB Bandwidth	MHz	-	10.30	10.40
Passband Ripple($F_c \pm 4.375$ MHz)	dB	-	0.70	1.00
Group Delay Variation($F_c \pm 4.375$ MHz)	nsec	-	60	120
Absolute Delay	usec	-	3.56	-
Ultimate Attenuation	dB	50	55	-
Substrate Material	-	128-LiNbO ₃		
Temperature Coefficient	ppm/°C	-72		

Package Dimension



Matching Configuration



L1=270nH, L2=39nH, C1=180pF, C2=14pF
 Source / Load Impedance = 50Ω
 Ambient Temperature = 25°C

Rev.0 100129

