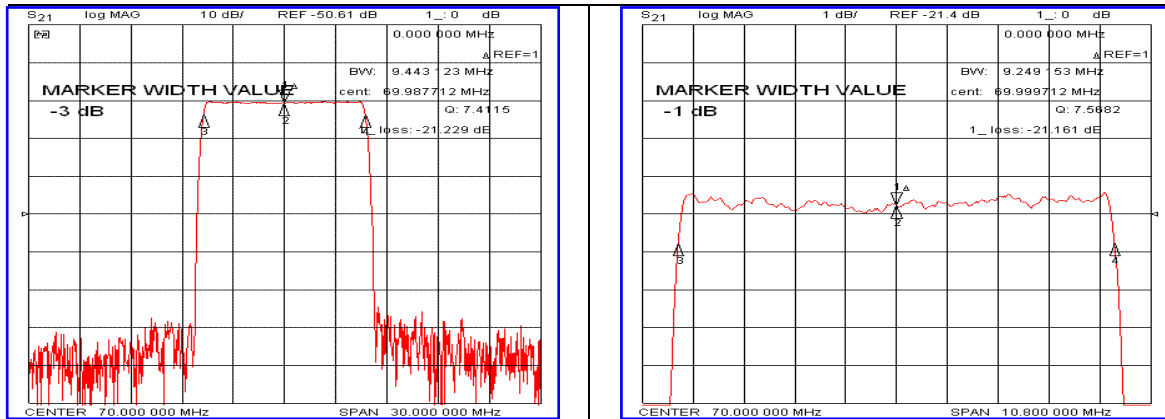


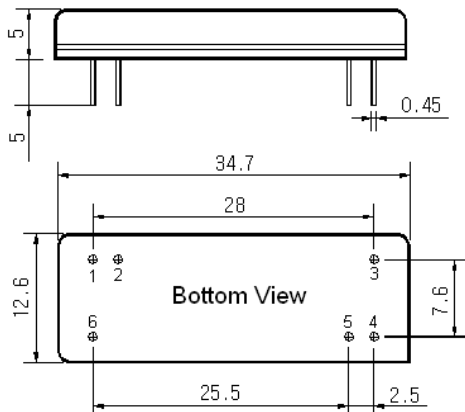
Typical Performance



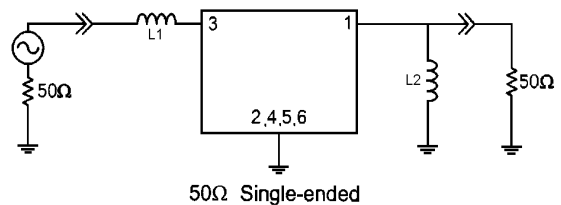
Specification

Parameter	Unit	Min.	Typ.	Max.
Center Frequency	MHz	-	70.00	-
Insertion Loss	dB	-	21.50	23.50
1dB Bandwidth	MHz	9.10	9.24	-
3dB Bandwidth	MHz	-	9.44	-
35dB Bandwidth	MHz	-	10.30	10.40
Relative Attenuation				
Fc ± 5.2MHz		25	40	-
Fc ± 6.0MHz	dB	50	55	-
Fc ± 10MHz		50	55	-
Fc ± 15MHz		50	55	-
Passband Ripple(Fc ± 4.375MHz)	dB	-	0.55	1.00
Absolute Delay	usec	-	2.70	-
Substrate Material	-	Yz-LiNbO ₃		
Temperature Coefficient	ppm/°C	-94		

Package Dimension



Matching Configuration



L1=56nH, L2=270nH
Source / Load Impedance = 50Ω
Ambient Temperature = 25°C

Rev.0 100812

