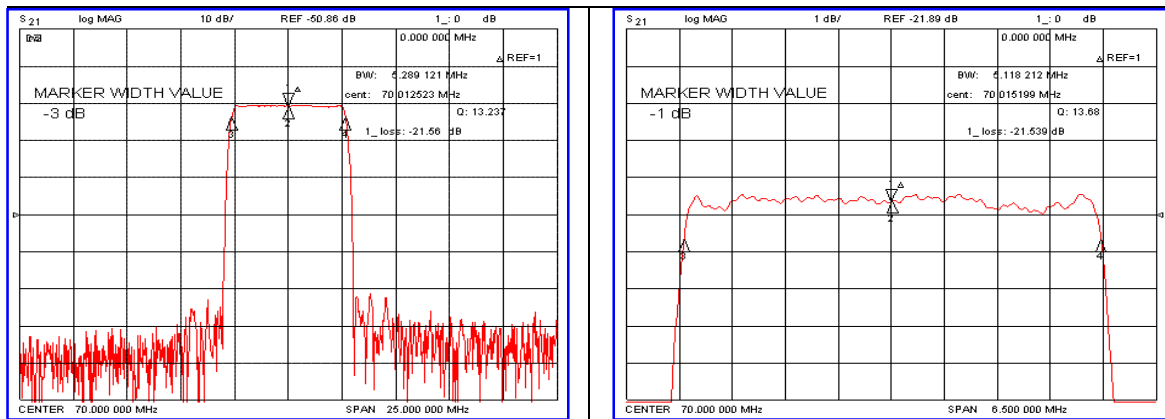


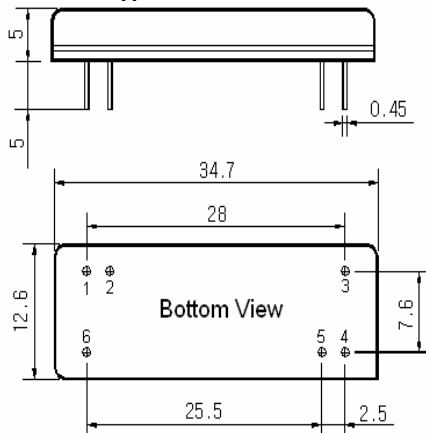
Typical Performance



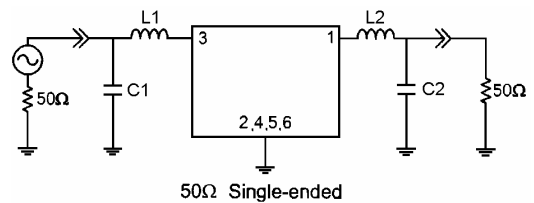
Specification

Parameter	Unit	Min.	Typ.	Max.
Center Frequency (Fc)	MHz	69.96	70.00	70.04
Insertion Loss	dB	-	21.60	24.00
1dB Bandwidth	MHz	-	5.11	-
3dB Bandwidth	MHz	-	5.28	-
33dB Bandwidth	MHz	-	5.93	-
40dB Bandwidth	MHz	-	5.98	-
Passband Ripple	dB	-	0.55	1.00
Group Delay Variation	nsec	-	160	250
Absolute Delay	µsec	-	3.74	-
Ultimate Attenuation	dB	-	50	-
Substrate Material	-	Yz-LiNbO ₃		
Temperature Coefficient	ppm/jC	-94		

Package Dimension



Matching Configuration



L1= L2=47nH, C1=C2=14pF
 Source / Load Impedance = 50Ω
 Ambient Temperature = 25jC

Rev0. 070403

