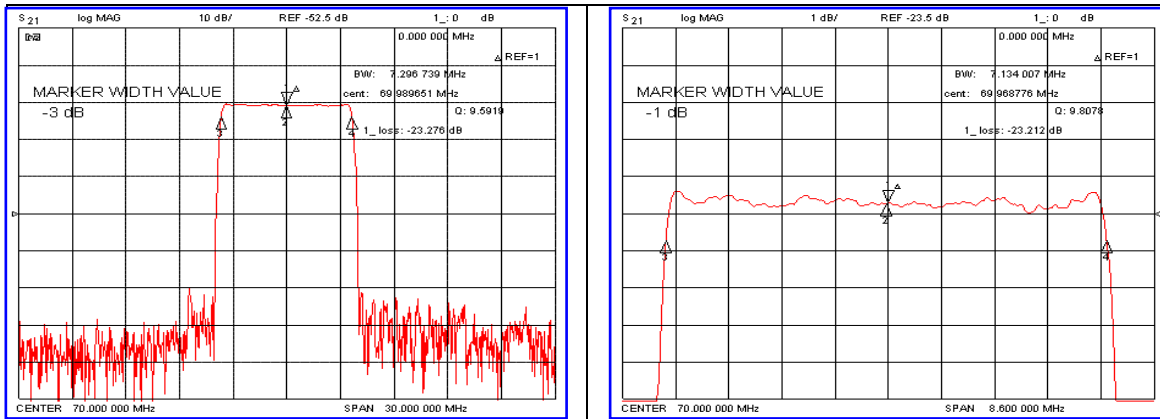


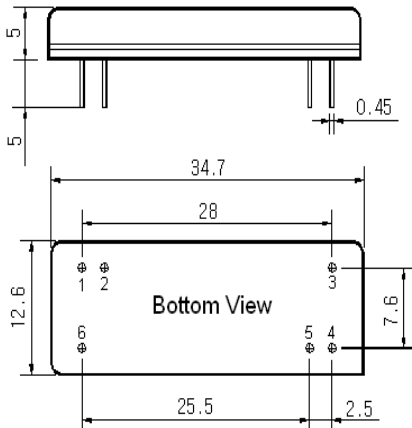
Typical Performance



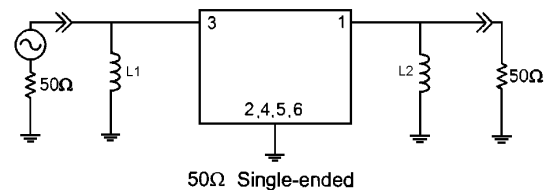
Specification

Parameter	Unit	Min.	Typ.	Max.
Center Frequency (Fc)	MHz	69.96	70.00	70.04
Insertion Loss	dB	-	23.50	25.00
1dB Bandwidth	MHz	-	7.13	-
3dB Bandwidth	MHz	-	7.29	-
33dB Bandwidth	MHz	-	7.91	-
40dB Bandwidth	MHz	-	7.96	-
Passband Ripple	dB	-	0.65	1.00
Group Delay Variation	nsec	-	110	200
Absolute Delay	µsec	-	3.73	-
Ultimate Attenuation	dB	-	50	-
Substrate Material	-	Yz-LiNbO ₃		
Temperature Coefficient	ppm/°C	-94		

Package Dimension



Matching Configuration



L1=390nH, L2=390nH,
 Source / Load Impedance = 50Ω
 Ambient Temperature = 25°C

Rev0. 070403

