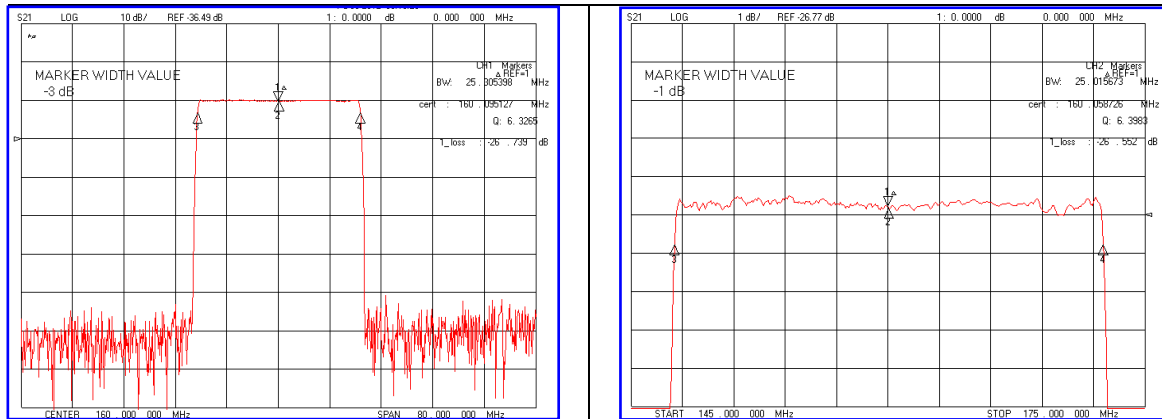


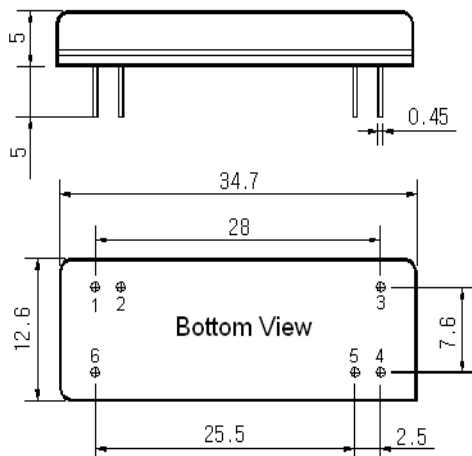
Typical Performance



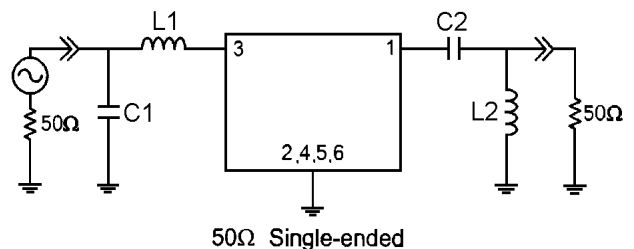
Specification

Parameter	Unit	Min.	Typ.	Max.
Center Frequency	MHz	-	160.00	-
Insertion Loss	dB	-	26.70	28.50
1dB Bandwidth	MHz	24.90	25.01	-
40dB Bandwidth	MHz	-	26.52	26.63
50dB Bandwidth	MHz	-	26.66	-
Passband Ripple($F_c \pm 12.25\text{MHz}$)	dB	-	0.65	1.20
Group Delay Variation	nsec	-	50	100
Absolute Delay	μsec	-	2.51	-
Ultimate Attenuation	dB	45	48	-
Substrate Material	-	128-LiNbO ₃		
Temperature Coefficient	ppm/ $^{\circ}\text{C}$	-72		

Package Dimension



Matching Configuration



L1=22nH, L2=68nH, C1=4pF, C2=36pF
 Source / Load Impedance = 50 Ω
 Ambient Temperature = 25 $^{\circ}\text{C}$

Rev0. 121210

