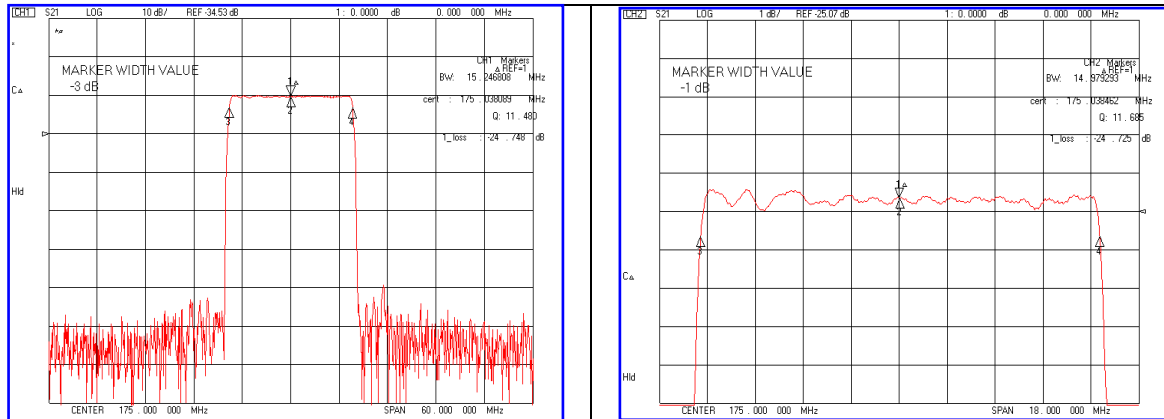


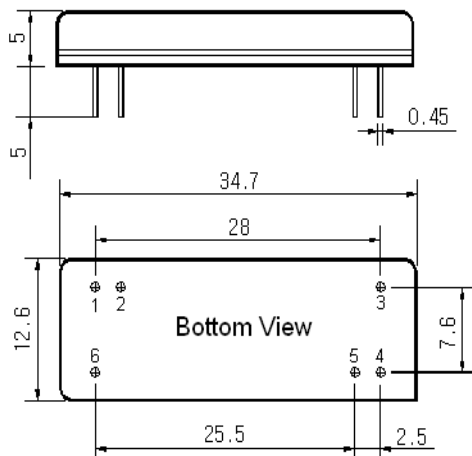
Typical Performance



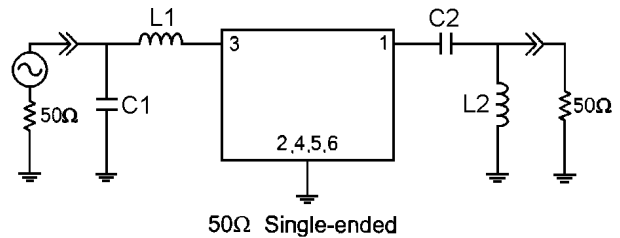
Specification

Parameter	Unit	Min.	Typ.	Max.
Center Frequency	MHz	-	175.00	-
Insertion Loss	dB	-	24.80	26.50
1dB Bandwidth	MHz	14.80	14.97	-
40dB Bandwidth	MHz	-	16.40	16.55
50dB Bandwidth	MHz	-	16.50	-
Passband Ripple($F_c \pm 7.25\text{MHz}$)	dB	-	0.60	1.20
Group Delay Variation	nsec	-	100	200
Absolute Delay	μsec	-	3.26	-
Ultimate Attenuation	dB	45	48	-
Substrate Material	-	112-LiTaO ₃		
Temperature Coefficient	ppm/ $^{\circ}\text{C}$	-20		

Package Dimension



Matching Configuration



L1=22nH, L2=18nH, C1=51pF, C2=110pF
 Source / Load Impedance = 50Ω
 Ambient Temperature = 25°C

Rev1. 121218

