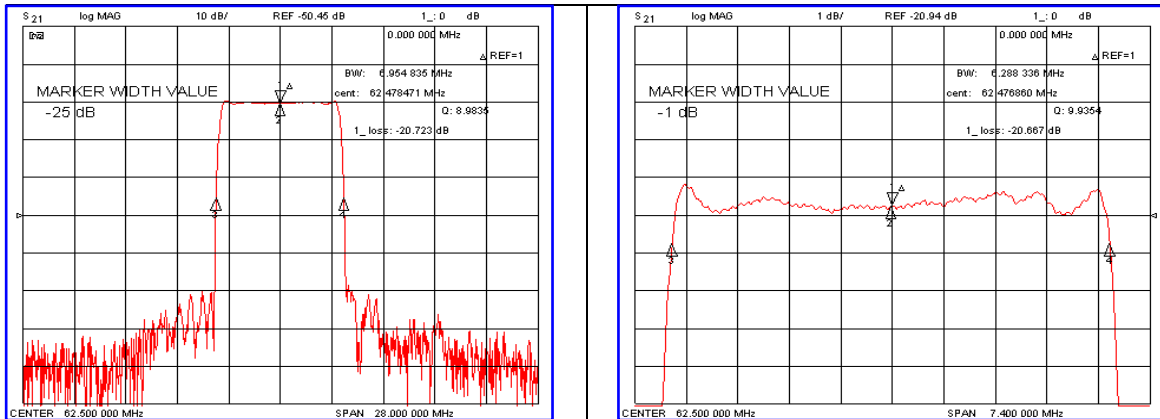


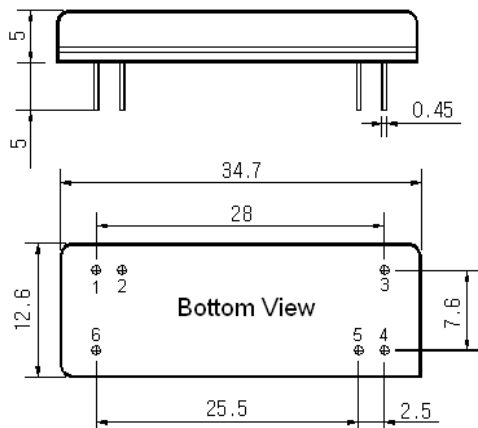
### Typical Performance



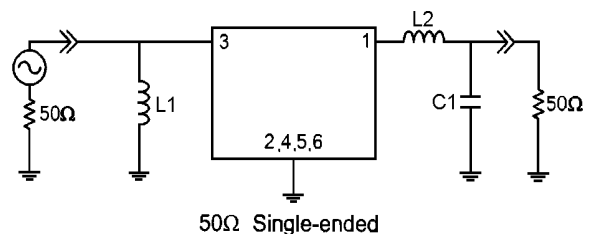
### Specification

Parameter	Unit	Min.	Typ.	Max.
Center Frequency	MHz	62.42	62.50	62.58
Insertion Loss	dB	-	20.80	23.00
1dB Bandwidth	MHz	6.20	6.28	-
25dB Bandwidth	MHz	-	6.95	-
35dB Bandwidth	MHz	-	7.05	-
40dB Bandwidth	MHz	-	7.10	7.20
Passband Ripple	dB	-	0.80	1.20
Group Delay Variation	nsec	-	100	200
Absolute Delay	usec	-	4.35	-
Ultimate Attenuation	dB	-	48	-
Substrate Material	-	YZ-LiNbO <sub>3</sub>		
Temperature Coefficient	ppm/°C	-94		

### Package Dimension



### Matching Configuration



L1=270nH, L2=100nH, C1=15pF  
 Source / Load Impedance = 50Ω  
 Ambient Temperature = 25°C

Rev.0 091202

