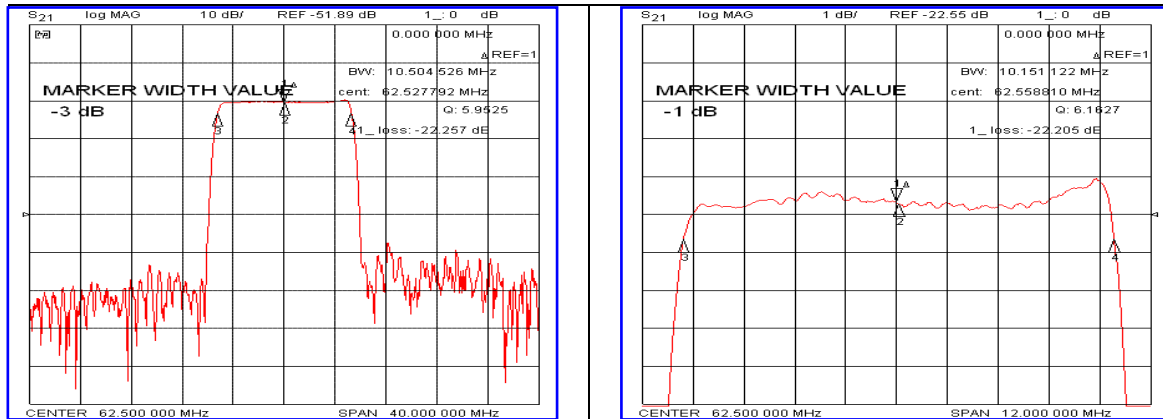


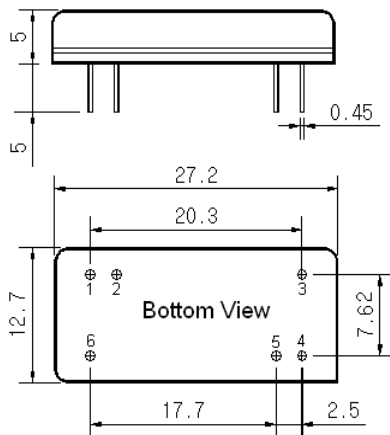
Typical Performance



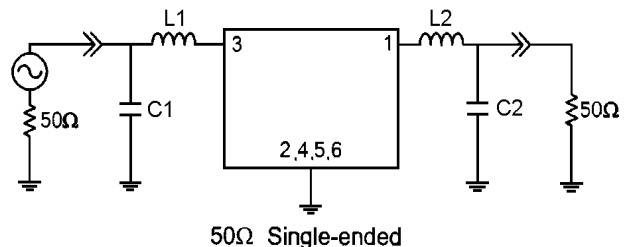
Specification

Parameter	Unit	Min.	Typ.	Max.
Center Frequency	MHz	-	62.50	-
Insertion Loss	dB	-	22.80	25.00
1dB Bandwidth	MHz	10.00	10.15	-
20dB Bandwidth	MHz	-	11.60	11.70
40dB Bandwidth	MHz	-	12.10	-
Passband Ripple($F_c \pm 4.42$ MHz)	dB	-	0.65	1.00
Group Delay Variation($F_c \pm 4.42$ MHz)	nsec	-	55	100
Absolute Delay	μ sec	-	1.38	-
Ultimate Attenuation	dB	-	40	-
Substrate Material	-	128-LiNbO ₃		
Temperature Coefficient	ppm/ $^{\circ}$ C	-72		

Package Dimension



Matching Configuration



L1=18nH, L2=100nH, C1=27pF, C2=30pF
 Source / Load Impedance = 50Ω
 Ambient Temperature = 25 $^{\circ}$ C

Rev.1 120224

