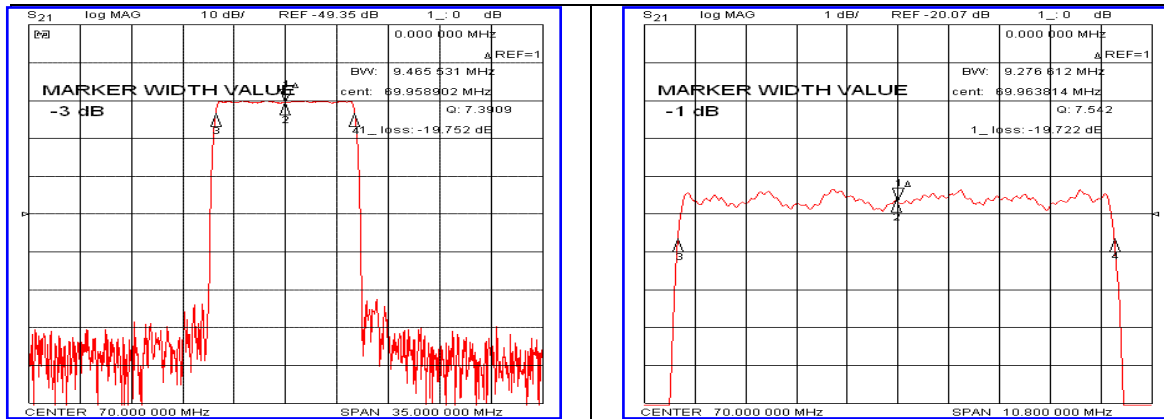


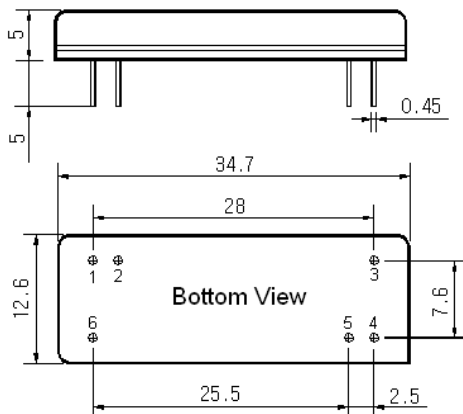
Typical Performance



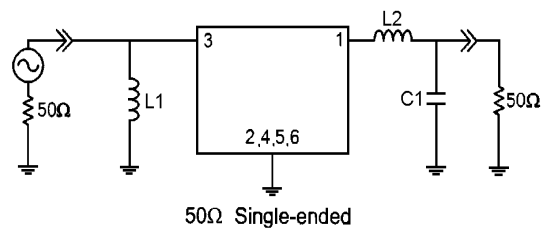
Specification

Parameter	Unit	Min.	Typ.	Max.
Center Frequency	MHz	69.92	70.00	70.08
Insertion Loss	dB	-	19.80	22.00
1dB Bandwidth	MHz	9.10	9.27	-
3dB Bandwidth	MHz	-	9.46	-
35dB Bandwidth	MHz	-	10.28	10.40
Relative Attenuation				
$\Delta Fc \pm 5.2\text{MHz}$		30	45	-
$\Delta Fc \pm 6.0\text{MHz}$	dB	45	50	-
$\Delta Fc \pm 10\text{MHz}$		50	55	-
$\Delta Fc \pm 15\text{MHz}$		50	55	-
Passband Ripple	dB	-	0.60	1.00
Absolute Delay	usec	-	2.58	-
Substrate Material	-	128-LiNbO ₃		
Temperature Coefficient	ppm/°C	-72		

Package Dimension



Matching Configuration



L1=270nH, L2=47nH, C1=18pF
Source / Load Impedance = 50Ω
Ambient Temperature = 25°C

Rev.0 110324

