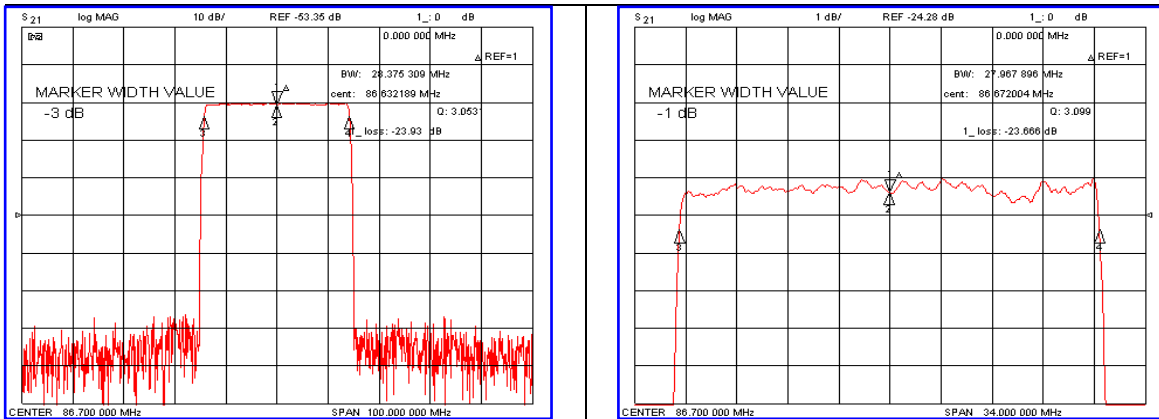


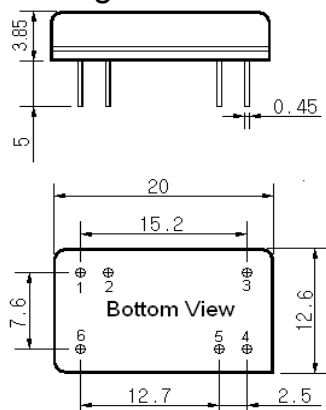
Typical Performance



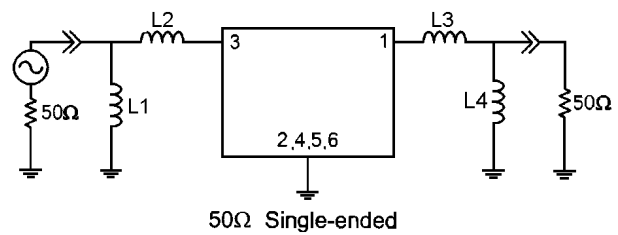
Specification

| Parameter | Unit | Min. | Typ. | Max. |
|--|--------|-------------------------|-------|-------|
| Center Frequency | MHz | - | 86.70 | - |
| Insertion Loss | dB | - | 24.00 | 26.00 |
| 1dB Bandwidth | MHz | 27.80 | 27.96 | - |
| 3dB Bandwidth | MHz | - | 28.37 | - |
| 40dB Bandwidth | MHz | - | 30.05 | 30.20 |
| Relative Attenuation Fc ± 15.25MHz | dB | - | 55 | - |
| Passband Ripple(Fc± 13.75MHz) | dB | - | 0.70 | 1.00 |
| Group Delay Variation | nsec | - | 30 | 50 |
| Absolute Delay | µsec | - | 1.87 | - |
| Ultimate Attenuation | dB | 50 | 55 | - |
| Substrate Material | - | 128- LiNbO ₃ | | |
| Temperature Coefficient | ppm/°C | -72 | | |

Package Dimension



Matching Configuration



L1=120nH, L2=68nH, L3=82nH, L4=180nH
 Source / Load Impedance = 50Ω
 Ambient Temperature = 25°C

Rev0. 090904

