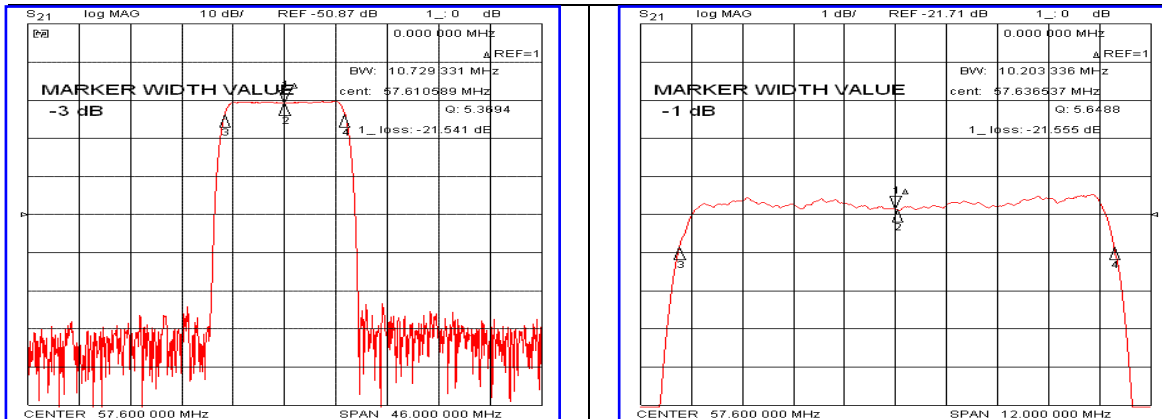


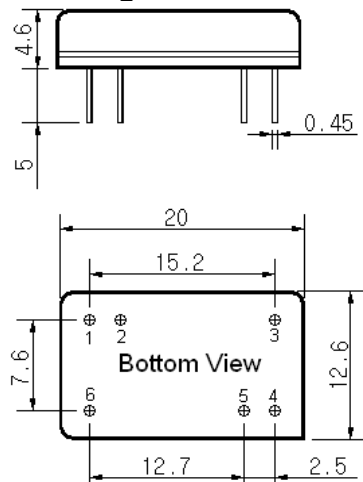
Typical Performance



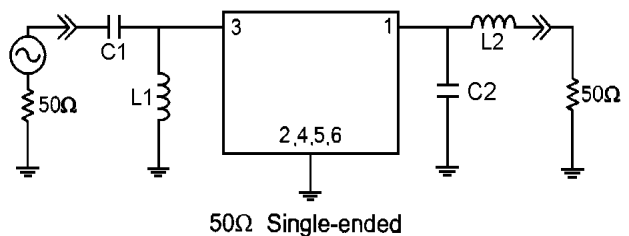
Specification

Parameter	Unit	Min.	Typ.	Max.
Center Frequency	MHz	-	57.60	-
Insertion Loss	dB	-	21.60	23.50
1dB Bandwidth	MHz	10.00	10.20	-
3dB Bandwidth	MHz	-	10.72	-
40dB Bandwidth	MHz	-	12.90	13.00
Passband Ripple($F_c \pm 4.5\text{MHz}$)	dB	-	0.50	1.00
Group Delay Variation($F_c \pm 4.5\text{MHz}$)	nsec	-	50	100
Absolute Delay	μsec	-	1.48	-
Ultimate Attenuation	dB	48	52	-
Substrate Material	-	128-LiNbO ₃		
Temperature Coefficient	ppm/ $^{\circ}\text{C}$	-72		

Package Dimension



Matching Configuration



L1=180nH, L2=150nH, C1=110pF, C1=14pF
 Source / Load Impedance = 50 Ω
 Ambient Temperature = 25 $^{\circ}\text{C}$

Rev0. 110729

