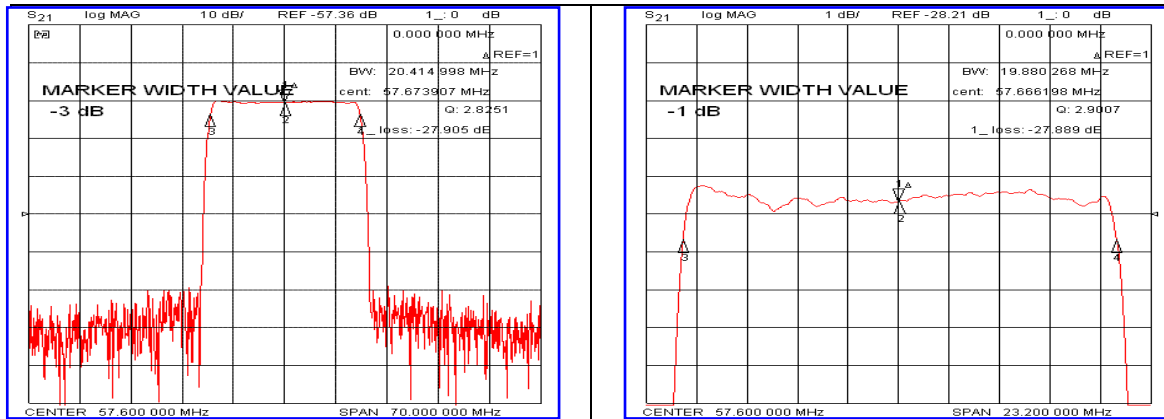


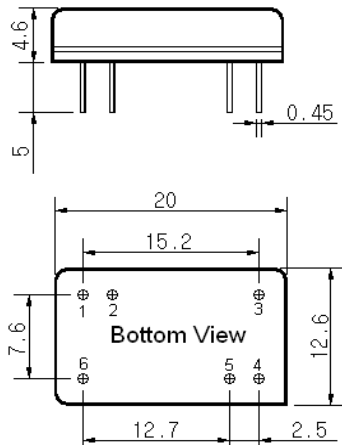
Typical Performance



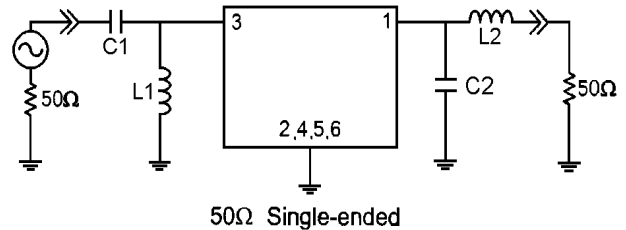
Specification

Parameter	Unit	Min.	Typ.	Max.
Center Frequency	MHz	-	57.60	-
Insertion Loss	dB	-	28.00	30.00
1dB Bandwidth	MHz	19.70	19.88	-
3dB Bandwidth	MHz	-	20.41	-
40dB Bandwidth	MHz	-	22.78	23.90
Passband Ripple($F_c \pm 9.5\text{MHz}$)	dB	-	0.70	1.20
Relative Attenuation 46MHz Point	dB	-	48	-
Absolute Delay	μsec	-	1.48	-
Ultimate Attenuation	dB	42	47	-
Substrate Material	-	128-LiNbO ₃		
Temperature Coefficient	ppm/ $^{\circ}\text{C}$	-72		

Package Dimension



Matching Configuration



L1=180nH, L2=270nH, C1=68pF, C2=7pF
 Source / Load Impedance = 50Ω
 Ambient Temperature = 25°C

Rev0. 110727

