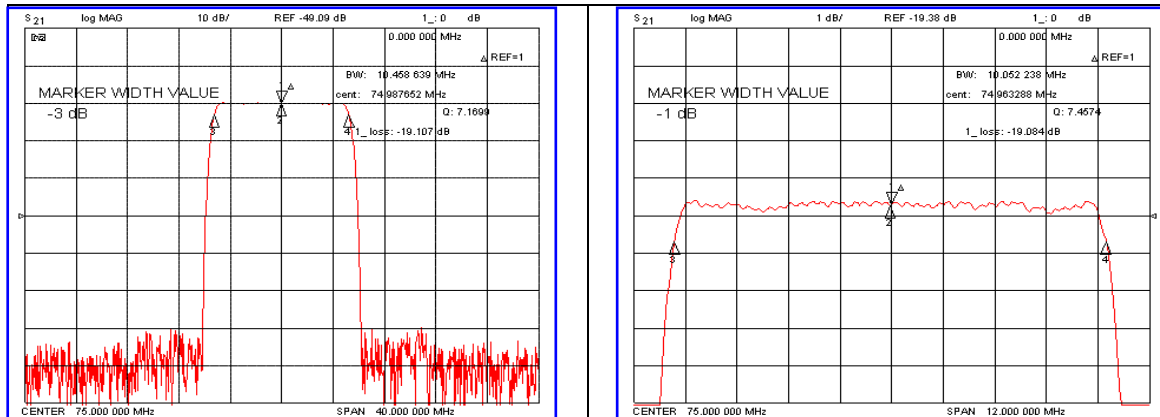


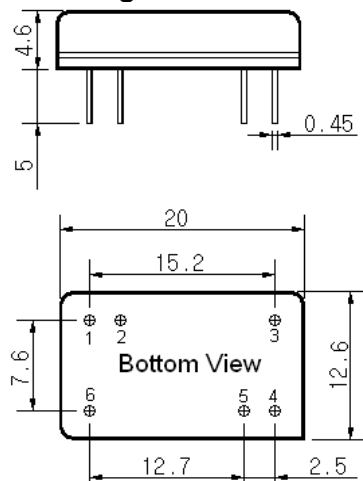
Typical Performance



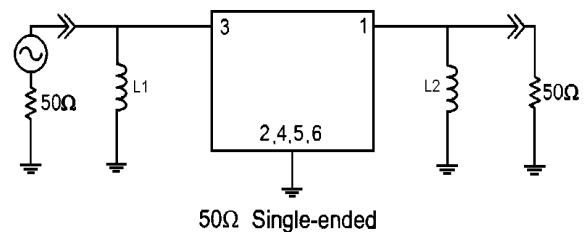
Specification

Parameter	Unit	Min.	Typ.	Max.
Center Frequency	MHz	74.92	75.00	75.08
Insertion Loss	dB	-	19.50	22.00
1dB Bandwidth	MHz	-	10.05	-
3dB Bandwidth	MHz	10.30	10.45	-
40dB Bandwidth	MHz	-	12.08	12.20
Passband Ripple	dB	-	0.55	1.00
Group Delay Variation	nsec	-	50	100
Absolute Delay	µsec	-	2.09	-
Ultimate Attenuation	dB	50	55	-
Substrate Material	-	128- LiNbO ₃		
Temperature Coefficient	ppm/°C	-72		

Package Dimension



Matching Configuration



L1=270nH, L2=270nH
 Source / Load Impedance = 50Ω
 Ambient Temperature = 25°C

Rev0. 100422

