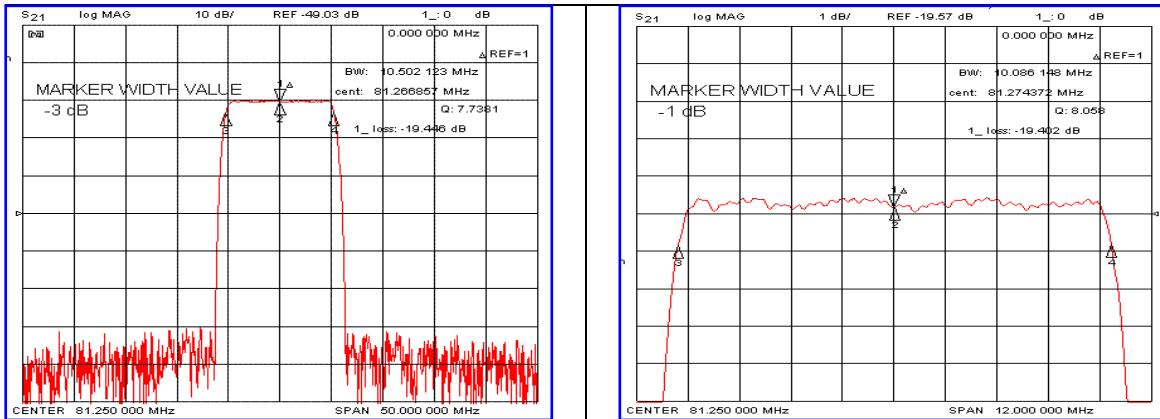


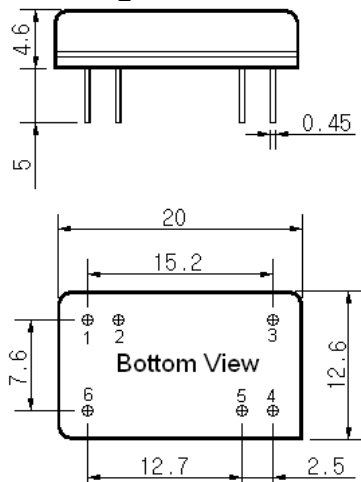
Typical Performance



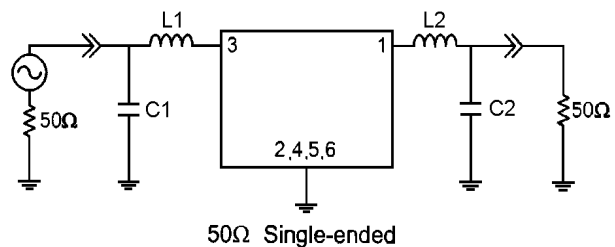
Specification

Parameter	Unit	Min.	Typ.	Max.
Center Frequency	MHz	-	81.25	-
Insertion Loss	dB	-	19.50	21.00
1dB Bandwidth	MHz	9.90	10.08	-
3dB Bandwidth	MHz	-	10.50	-
40dB Bandwidth	MHz	-	12.30	12.45
Passband Ripple($F_c \pm 4.375$ MHz)	dB	-	0.39	-
Group Delay Variation($F_c \pm 4.375$ MHz)	nsec	-	100	200
Absolute Delay	μ sec	-	1.90	-
Ultimate Attenuation	dB	50	55	-
Substrate Material	-	128- LiNbO ₃		
Temperature Coefficient	ppm/ $^{\circ}$ C	-72		

Package Dimension



Matching Configuration



L1=33nH, L2=33nH, C1=10pF, C2=10pF
 Source / Load Impedance = 50 Ω
 Ambient Temperature = 25 $^{\circ}$ C

Rev0. 100531

