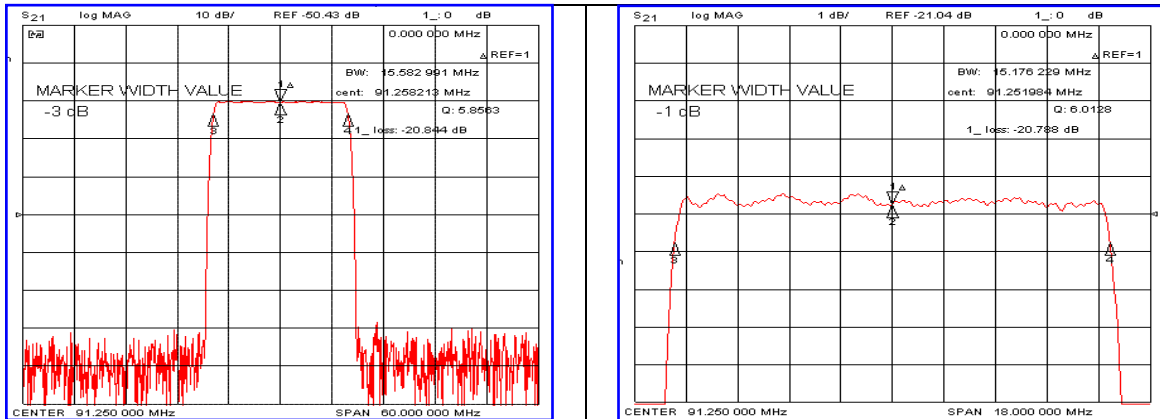


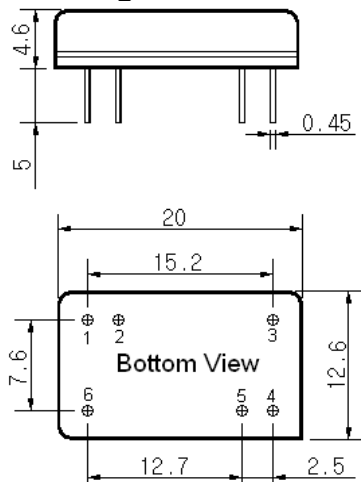
Typical Performance



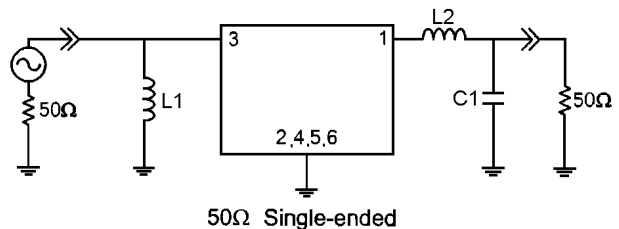
Specification

Parameter	Unit	Min.	Typ.	Max.
Center Frequency	MHz	-	91.25	-
Insertion Loss	dB	-	20.90	23.00
1dB Bandwidth	MHz	15.00	15.17	-
3dB Bandwidth	MHz	-	15.58	-
40dB Bandwidth	MHz	-	17.30	17.45
Passband Ripple($F_c \pm 6.875$ MHz)	dB	-	0.55	1.00
Group Delay Variation($F_c \pm 6.875$ MHz)	nsec	-	50	100
Absolute Delay	μ sec	-	1.93	-
Ultimate Attenuation	dB	50	55	-
Substrate Material	-	128- LiNbO ₃		
Temperature Coefficient	ppm/ $^{\circ}$ C	-72		

Package Dimension



Matching Configuration



L1=270nH, L2=68nH, C1=15pF
 Source / Load Impedance = 50 Ω
 Ambient Temperature = 25 $^{\circ}$ C

Rev0. 100531

