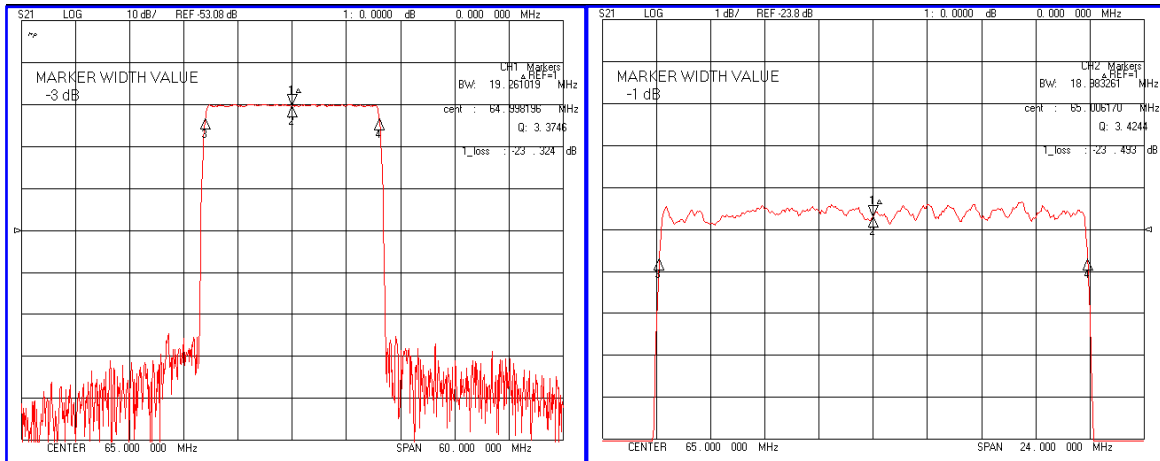


### Typical Performance

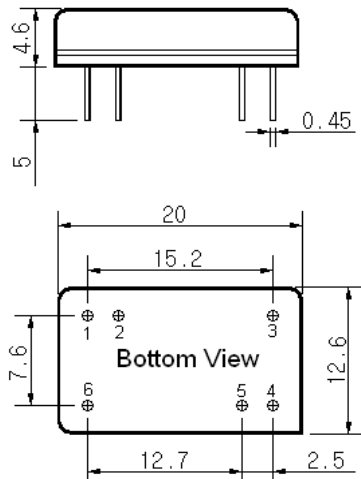


### Specification

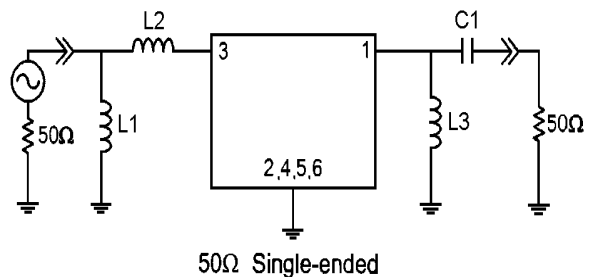
Parameter	Unit	Min.	Typ.	Max.
Center Frequency	MHz	64.93	65.00	65.07
Insertion Loss	dB	-	23.30	25.00
1dB Bandwidth	MHz	18.80	18.98	-
3dB Bandwidth	MHz	-	19.26	-
45dB Bandwidth	MHz	-	20.50	20.60
Passband Ripple	dB	-	0.55	1.20
Group Delay Variation	nsec	-	40	80
Absolute Delay	µsec	-	2.25	-
Ultimate Attenuation	dB	50	53	-
Temperature Coefficient	ppm/°C		-72	

(1).계측기 설정 : Input Power : +10dBm

### Package Dimension



### Matching Configuration



L1=180nH, L2=150nH, L3=150nH, C2=33pF  
 Source / Load Impedance = 50Ω  
 Ambient Temperature = 25°C

Rev0. 131011

