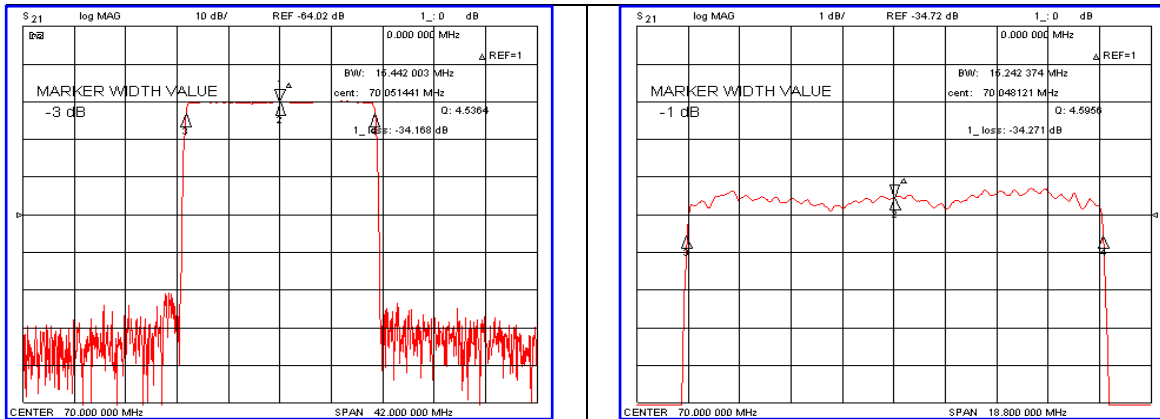


## Typical Performance

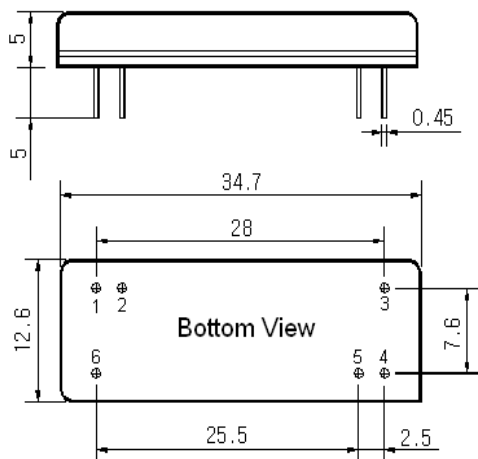


## Specification

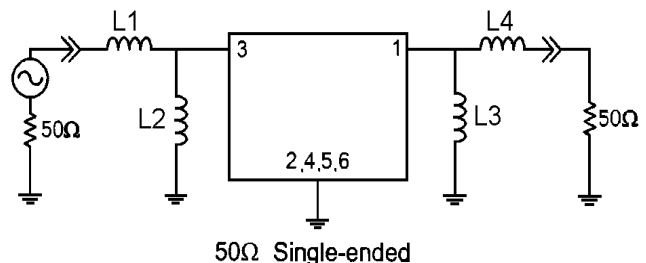
Parameter	Unit	Min.	Typ.	Max.
Center Frequency	MHz	-	70.00	-
Insertion Loss	dB	-	34.16	36.00
1dB Bandwidth	MHz	15.15	15.24	-
3dB Bandwidth	MHz	-	15.44	-
50dB Bandwidth	MHz	-	16.28	16.40
Passband Ripple( $F_c \pm 7.47$ MHz)	dB	-	0.75	1.00
Group Delay Variation( $F_c \pm 7.47$ MHz)	nsec	-	40	80
Absolute Delay	usec	-	5.30	-
Ultimate Attenuation(ACRR Smoothing)	dB	-	60	-
Substrate Material	-	112LiTaO <sub>3</sub>		
Temperature Coefficient	ppm/°C	-20		

측정기 설정 - Input Power +10dBm, Number of point 801, Sweep time : 600ms

## Package Dimension



## Matching Configuration



L1=220nH, L2=330nH, L3=270nH, L4=270nH  
 Source / Load Impedance = 50Ω  
 Ambient Temperature = 25°C

Rev.0 091209

