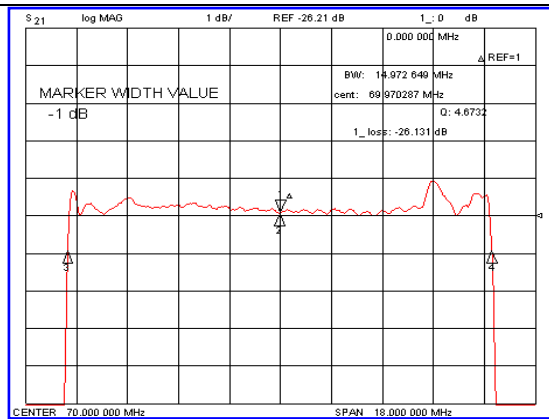
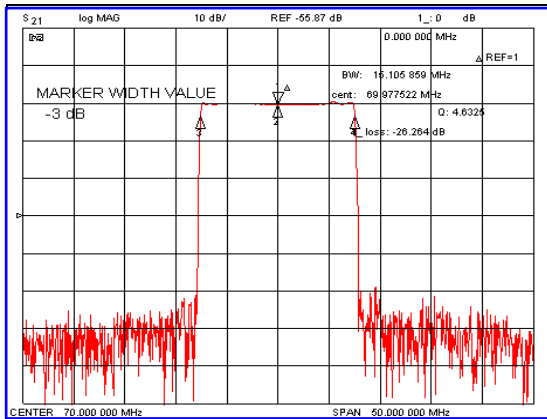


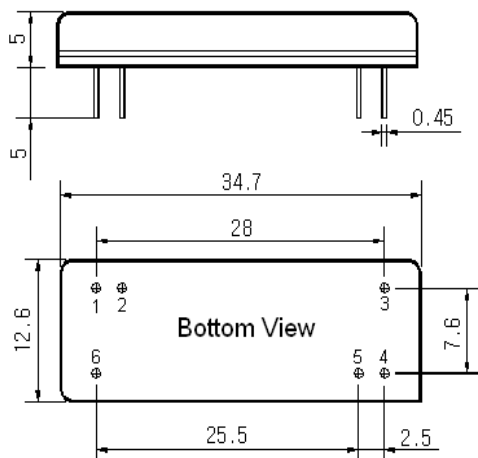
Typical Performance



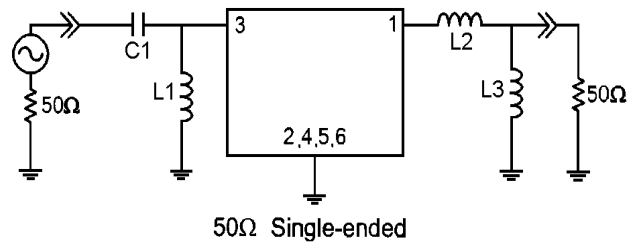
Specification

Parameter	Unit	Min.	Typ.	Max.
Center Frequency	MHz	-	70.00	-
Insertion Loss	dB	-	26.30	28.00
1dB Bandwidth	MHz	14.90	14.97	-
3dB Bandwidth	MHz	-	15.10	-
40dB Bandwidth	MHz	-	15.73	15.80
Passband Ripple($F_c \pm 7.4$ MHz)	dB	-	0.93	1.20
Group Delay Variation($F_c \pm 7.4$ MHz)	nsec	-	70	150
Absolute Delay	usec	-	4.00	-
Ultimate Attenuation	dB	45	50	-
Substrate Material	-	128-LiNbO ₃		
Temperature Coefficient	ppm/°C	-72		

Package Dimension



Matching Configuration



L1, L2, L3=270nH, C1=150pF
 Source / Load Impedance = 50Ω
 Ambient Temperature = 25°C

Rev.0 091010

