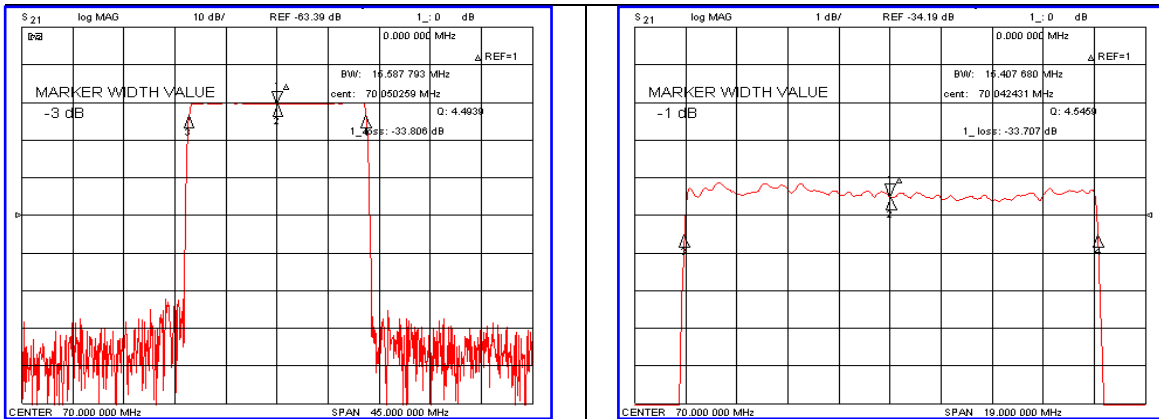


Typical Performance

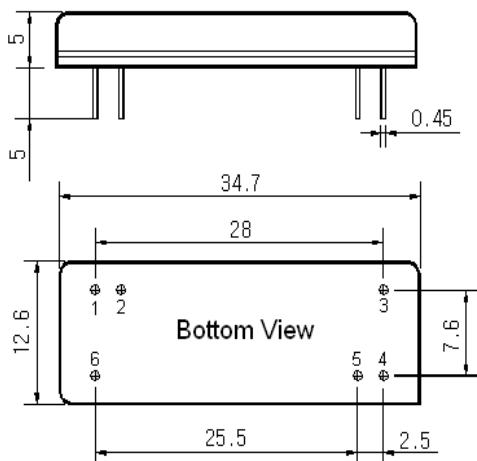


계측기 설정 – Input Power +10dBm, Number of point 801, Sweep time : 600ms

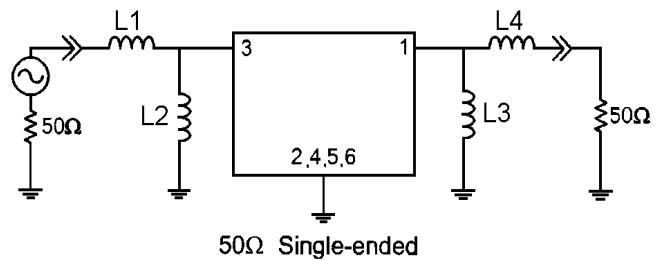
Specification

Parameter	Unit	Min.	Typ.	Max.
Center Frequency	MHz	69.94	70.00	70.06
Insertion Loss	dB	-	33.80	35.00
1dB Bandwidth	MHz	15.25	15.40	-
3dB Bandwidth	MHz	-	15.58	-
50dB Bandwidth	MHz	-	16.44	16.52
Passband Ripple(Fo±7.56 MHz)	dB	-	0.60	1.00
Group Delay Variation(Fo±7.56 MHz)	nsec	-	50	100
Absolute Delay	usec	-	4.99	-
Ultimate Attenuation	dB	-	53	-
Substrate Material	-	112-LiTaO <sub>3</sub>		
Temperature Coefficient	ppm/°C	-20		

Package Dimension



Matching Configuration



L1=220nH, L2=330nH, L3=330nH, L4=220nH  
Source / Load Impedance = 50Ω  
Ambient Temperature = 25°C

Rev.0 090825

