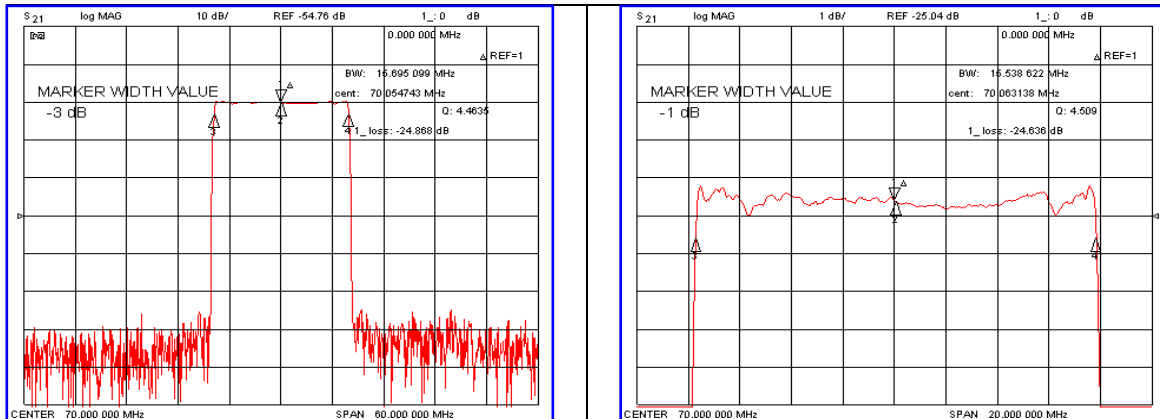


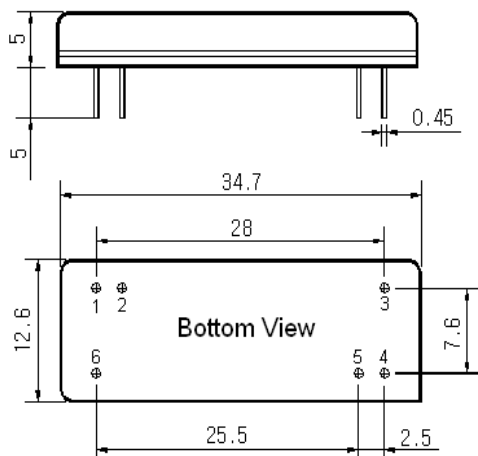
Typical Performance



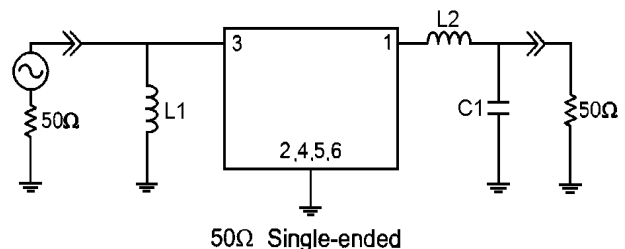
Specification

Parameter	Unit	Min.	Typ.	Max.
Center Frequency	MHz	-	70.00	-
Insertion Loss	dB	-	25.00	27.00
1dB Bandwidth	MHz	-	15.53	-
3dB Bandwidth	MHz	-	15.69	-
50dB Bandwidth	MHz	-	16.46	-
Passband Ripple($F_c \pm 7.47$ MHz)	dB	-	0.80	1.00
Group Delay Variation($F_c \pm 7.47$ MHz)	nsec	-	60	-
Absolute Delay	usec	-	3.84	-
Ultimate Attenuation	dB	-	55	-
Substrate Material	-	128-LiNbO ₃		
Temperature Coefficient	ppm/°C	-72		

Package Dimension



Matching Configuration



$L1=220\text{nH}$, $L2=150\text{nH}$, $C1=18\text{pF}$
 Source / Load Impedance = 50Ω
 Ambient Temperature = 25°C

Rev.0 091130

