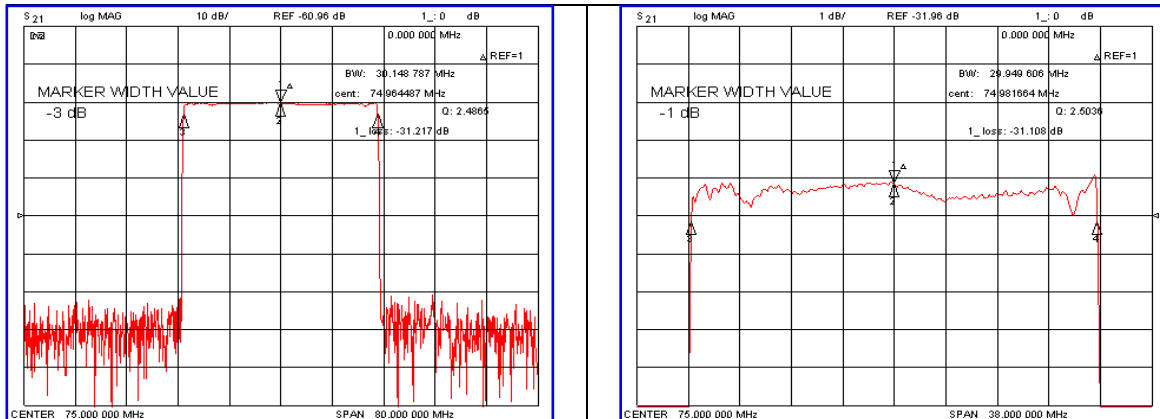


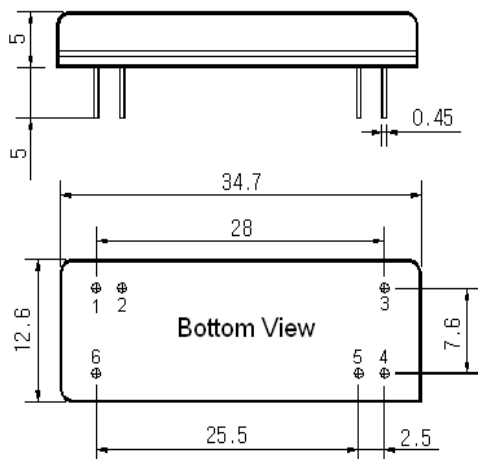
Typical Performance



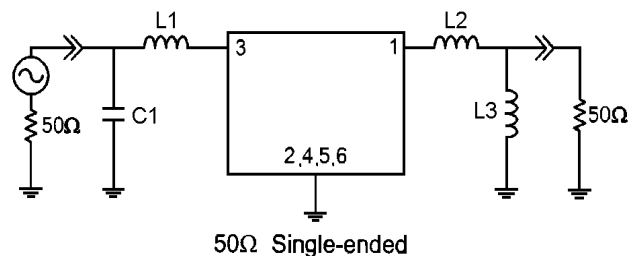
Specification

Parameter	Unit	Min.	Typ.	Max.
Center Frequency	MHz	-	75.00	-
Insertion Loss	dB	-	31.30	-
1dB Bandwidth	MHz	-	29.94	-
3dB Bandwidth	MHz	-	30.14	-
50dB Bandwidth	MHz	-	30.96	-
Passband Ripple(Fc ± 14.32MHz)	dB	-	0.86	-
Group Delay Variation(Fc ± 14.32MHz)	nsec	-	35	50
Absolute Delay	usec	-	3.73	-
Ultimate Attenuation	dB	-	50	-
Substrate Material	-	128-LiNbO ₃		
Temperature Coefficient	ppm/°C	-72		

Package Dimension



Matching Configuration



L1=180nH, L2=47nH, L3=150nH C1=24pF
Source / Load Impedance = 50Ω
Ambient Temperature = 25°C

Rev.0 091202

