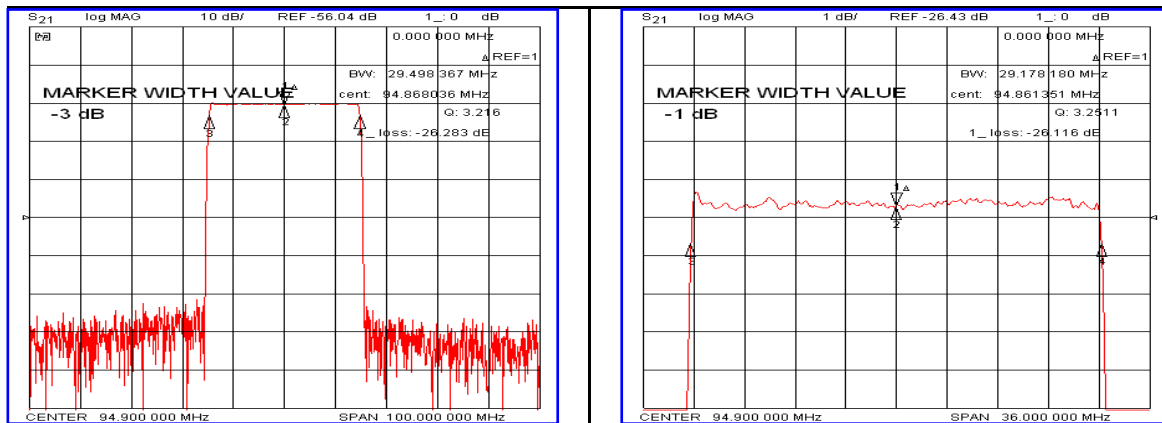


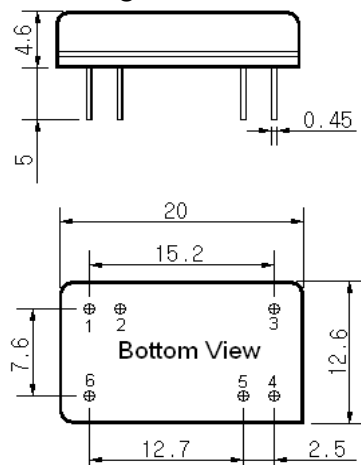
Typical Performance



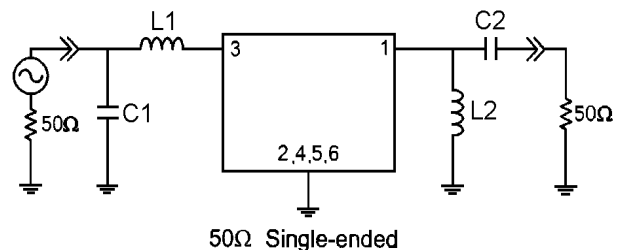
Specification

Parameter	Unit	Min.	Typ.	Max.
Center Frequency	MHz	-	94.90	-
Insertion Loss	dB	-	26.20	28.00
1dB Bandwidth	MHz	29.00	29.17	-
3dB Bandwidth	MHz	-	29.49	-
40dB Bandwidth	MHz	-	30.90	31.05
Passband Ripple($F_c \pm 14.22$ MHz)	dB	-	0.50	1.00
Group Delay Variation($F_c \pm 14.22$ MHz)	dB	-	30	60
Ultimate Attenuation	dB	45	50	-
Absolute Delay	μ sec	-	2.12	-
Substrate Material	-	128-LiNbO ₃		
Temperature Coefficient	ppm/ $^{\circ}$ C	-72		

Package Dimension



Matching Configuration



L1=150nH, L2=68nH, C1=30pF, C2=75pF
Source / Load Impedance = 50 Ω
Ambient Temperature = 25 $^{\circ}$ C

Rev 0. 120327

