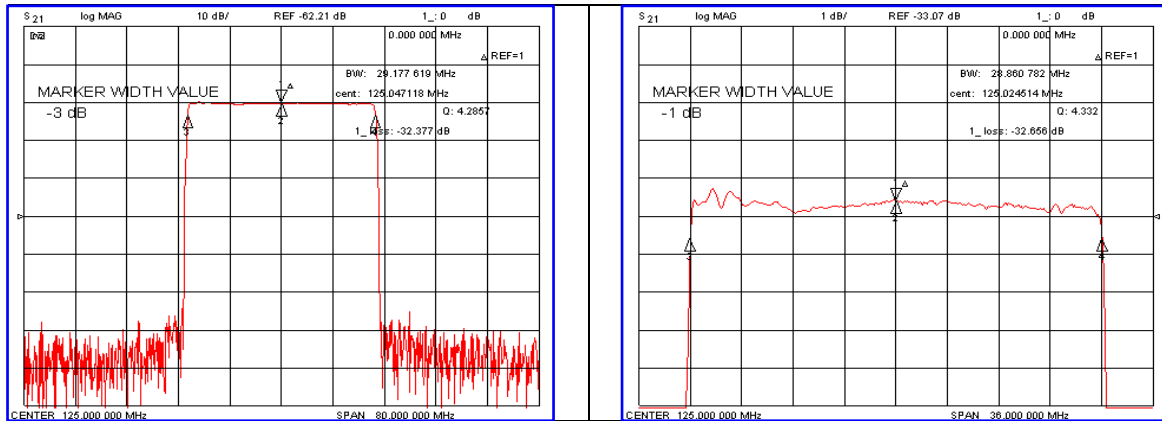


Typical Performance

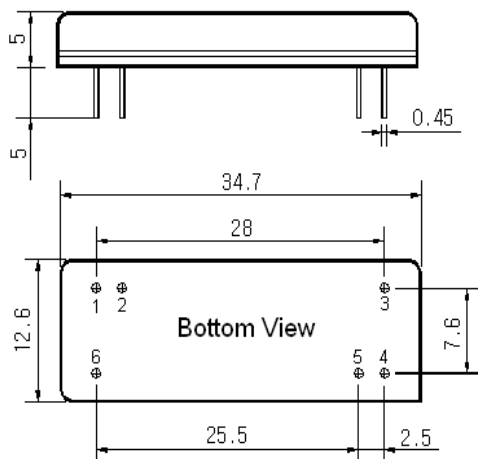


Specification

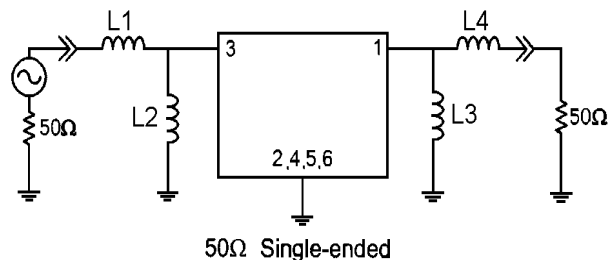
| Parameter | Unit | Min. | Typ. | Max. |
|--|--------|------------------------|--------|-------|
| Center Frequency | MHz | - | 125.00 | - |
| Insertion Loss | dB | - | 32.30 | 34.00 |
| 1dB Bandwidth | MHz | 28.75 | 28.86 | - |
| 3dB Bandwidth | MHz | - | 29.17 | - |
| 50dB Bandwidth | MHz | - | 30.39 | 30.55 |
| Passband Ripple($F_c \pm 14.32\text{MHz}$) | dB | - | 1.25 | 1.70 |
| Group Delay Variation($F_c \pm 14.32\text{MHz}$) | nsec | - | 30 | 50 |
| Absolute Delay | usec | - | 3.76 | - |
| Ultimate Attenuation(ACRR Smoothing) | dB | - | 62 | - |
| Substrate Material | - | 112-LiTaO ₃ | | |
| Temperature Coefficient | ppm/°C | -20 | | |

측정기 설정 - Input Power +10dBm, Number of point 801, Sweep time : 600ms

Package Dimension



Matching Configuration



L1=82nH, L2=120nH, L3=100nH, L4=100nH
 Source / Load Impedance = 50Ω
 Ambient Temperature = 25°C

Rev.1 091209

