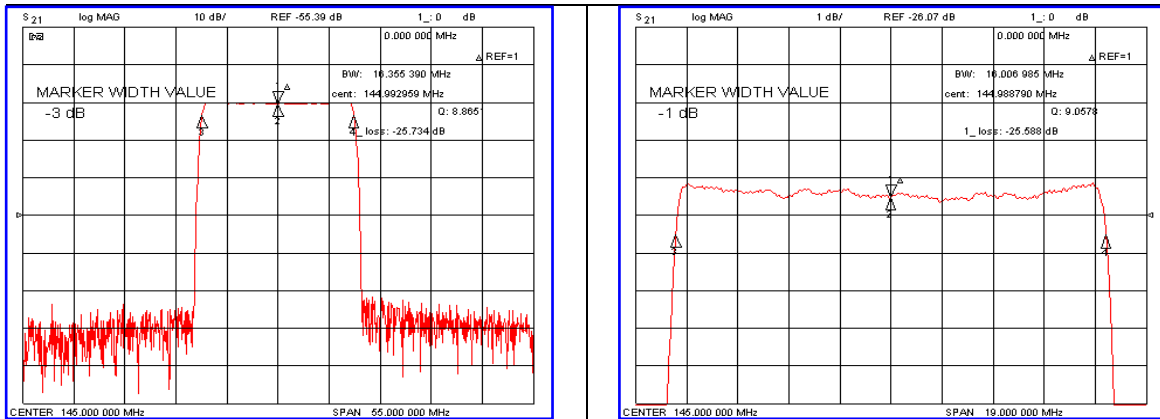


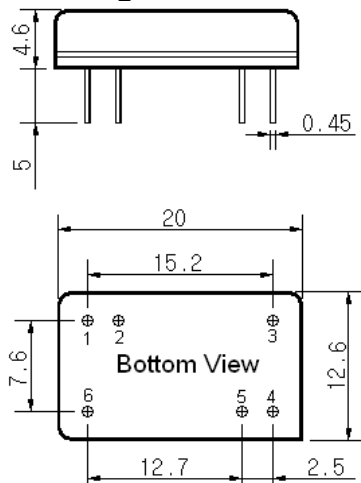
Typical Performance



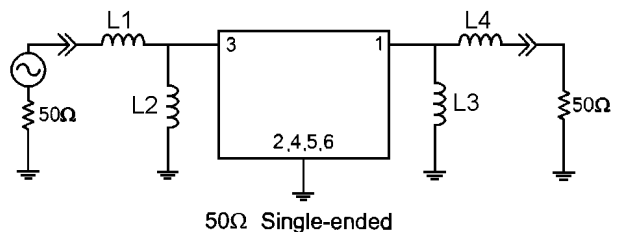
Specification

Parameter	Unit	Min.	Typ.	Max.
Center Frequency	MHz	-	145.00	-
Insertion Loss	dB	-	25.73	27.00
1dB Bandwidth	MHz	15.80	16.00	-
3dB Bandwidth	MHz	-	16.35	-
40dB Bandwidth	MHz	-	17.81	18.00
Passband Ripple($F_c \pm 7.56$ MHz)	dB	-	0.50	1.00
Group Delay Variation($F_c \pm 7.56$ MHz)	nsec	-	30	50
Absolute Delay	μ sec	-	2.75	-
Ultimate Attenuation	dB	50	53	-
Substrate Material	-	112- LiTaO ₃		
Temperature Coefficient	ppm/ $^{\circ}$ C	-20		

Package Dimension



Matching Configuration



L1=82nH, L2=47nH, L3=47nH, L4=82nH
 Source / Load Impedance = 50 Ω
 Ambient Temperature = 25 $^{\circ}$ C

Rev0. 090717

