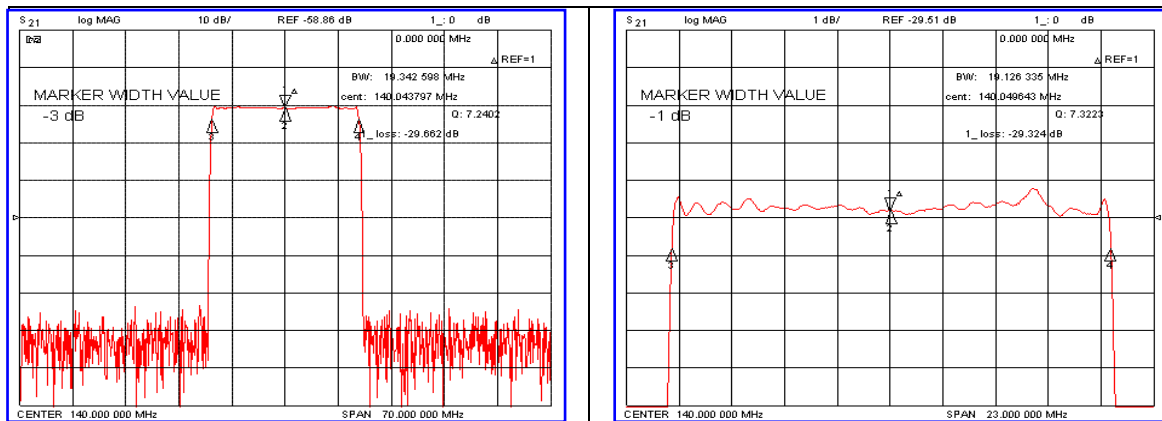


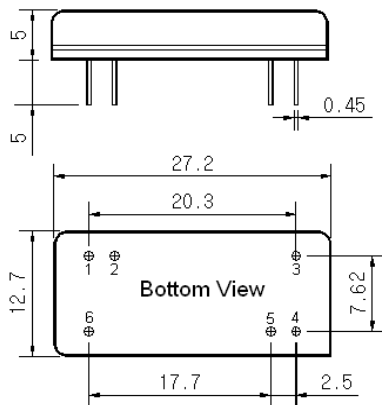
Typical Performance



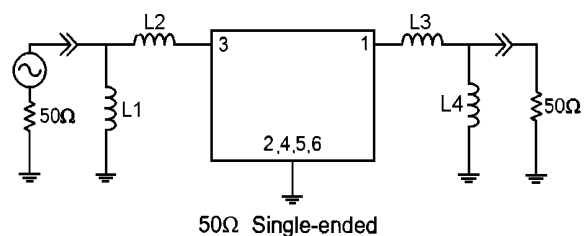
Specification

Parameter	Unit	Min.	Typ.	Max.
Center Frequency	MHz	139.90	140.00	140.10
Insertion Loss	dB	-	29.70	31.00
1dB Bandwidth	MHz	19.00	19.12	-
3dB Bandwidth	MHz	-	19.34	-
40dB Bandwidth	MHz	-	20.29	20.40
Passband Ripple	dB	-	0.75	1.00
Group Delay Variation	nsec	-	65	100
Absolute Delay	μsec	-	3.64	-
Ultimate Attenuation	dB	50	55	-
Substrate Material	-	112-LiTaO ₃		
Temperature Coefficient	ppm/°C	-20		

Package Dimension



Matching Configuration



L1=22nH, L2=L3=8.2nH, L4=27nH
 Source / Load Impedance = 50Ω
 Ambient Temperature = 25°C

Rev0. 071005

