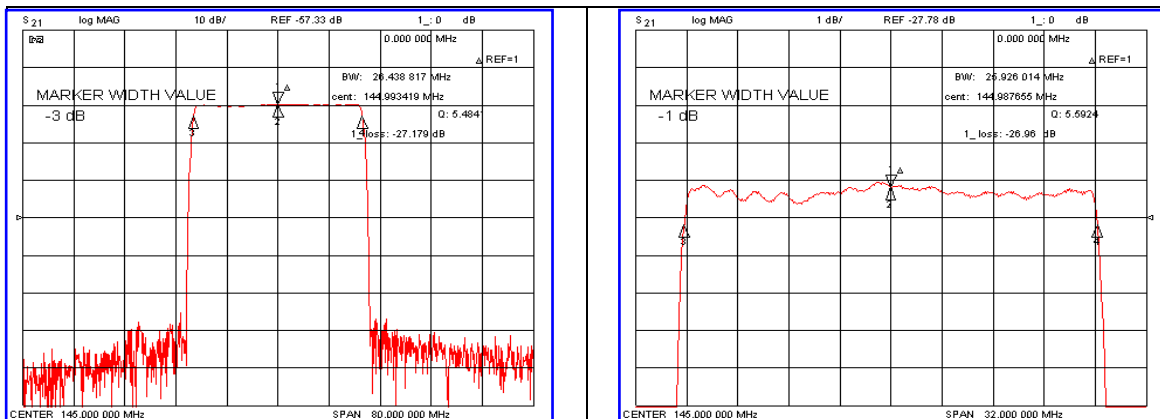


Typical Performance

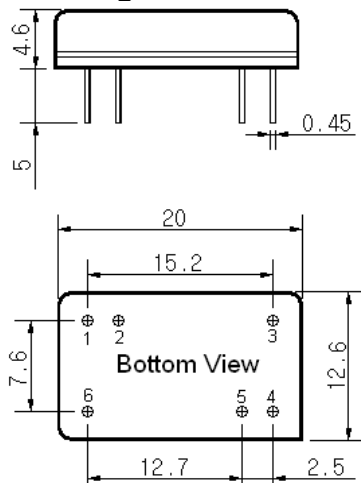


계측기 설정 - Input Power +10dBm, Number of point 801, Sweep time : 600ms

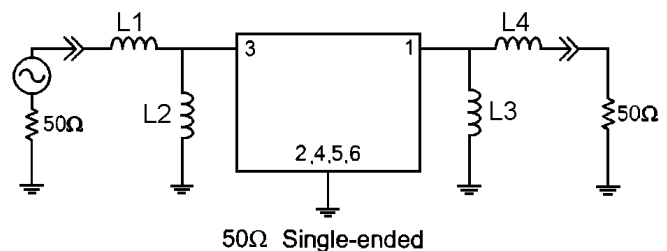
Specification

Parameter	Unit	Min.	Typ.	Max.
Center Frequency	MHz	-	145.00	-
Insertion Loss	dB	-	27.17	29.00
1dB Bandwidth	MHz	25.80	25.92	-
3dB Bandwidth	MHz	-	26.43	-
40dB Bandwidth	MHz	-	28.42	28.60
Passband Ripple(Fc±12.48MHz)	dB	-	0.60	1.00
Group Delay Variation(Fc±12.48MHz)	nsec	-	30	50
Absolute Delay	µsec	-	2.85	-
Ultimate Attenuation	dB	50	55	-
Substrate Material	-	112- LiTaO ₃		
Temperature Coefficient	ppm/°C	-20		

Package Dimension



Matching Configuration



L1=100nH, L2=56nH, L3=56nH, L4=120nH
 Source / Load Impedance = 50Ω
 Ambient Temperature = 25°C

Rev0. 090717

