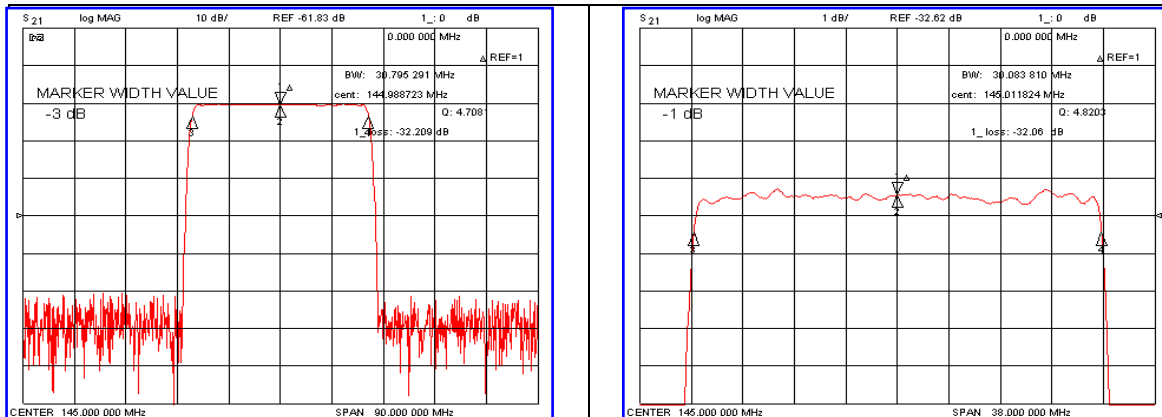


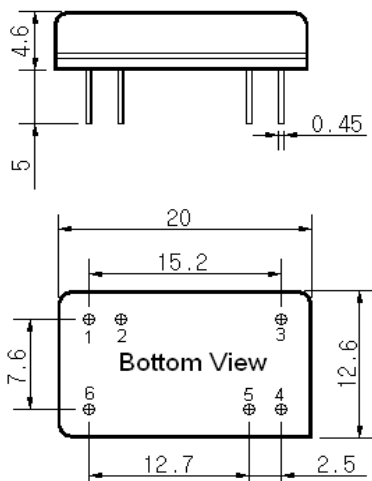
### Typical Performance



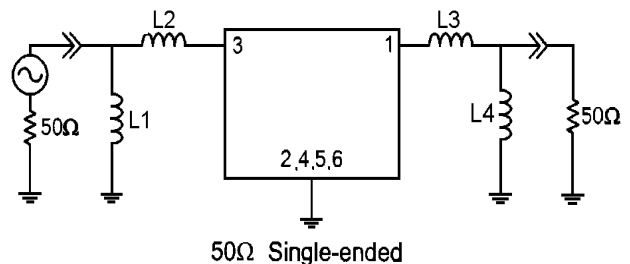
### Specification

Parameter	Unit	Min.	Typ.	Max.
Center Frequency	MHz	-	145.00	-
Insertion Loss	dB	-	32.20	34.00
1dB Bandwidth	MHz	30.00	30.08	-
3dB Bandwidth	MHz	-	30.79	-
20dB Bandwidth	MHz	-	32.70	-
40dB Bandwidth	MHz	-	33.60	33.70
Passband Ripple( $F_c \pm 14.52\text{MHz}$ )	dB	-	0.55	1.00
Group Delay Variation( $F_c \pm 14.52\text{MHz}$ )	nsec	-	30	50
Absolute Delay	$\mu\text{sec}$	-	2.00	-
Ultimate Attenuation	dB	-	50	-
Substrate Material	-	112- LiTaO <sub>3</sub>		
Temperature Coefficient	ppm/ $^{\circ}\text{C}$	-20		

### Package Dimension



### Matching Configuration



L1=27nH, L2=33nH, L3=68nH, L4=220nH  
 Source / Load Impedance = 50 $\Omega$   
 Ambient Temperature = 25 $^{\circ}\text{C}$

Rev0. 091105

