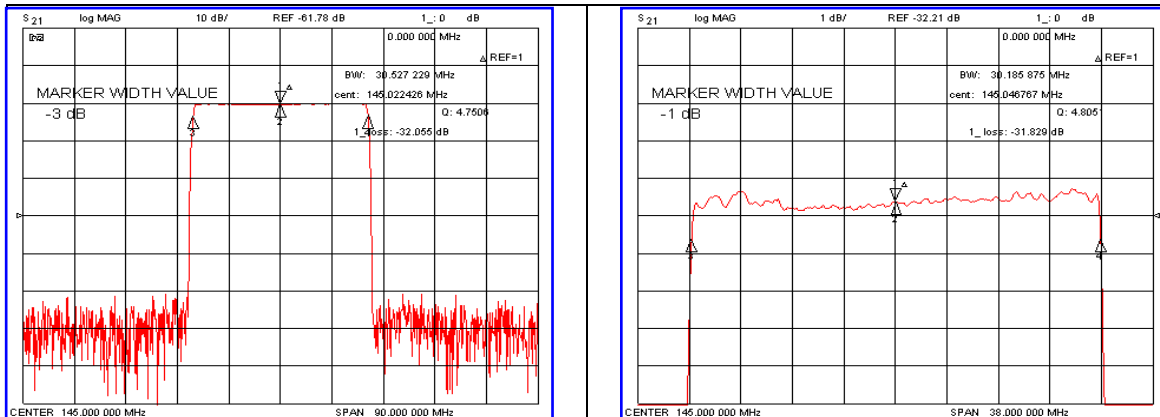


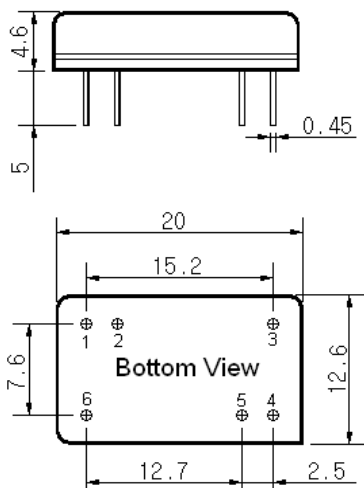
### Typical Performance



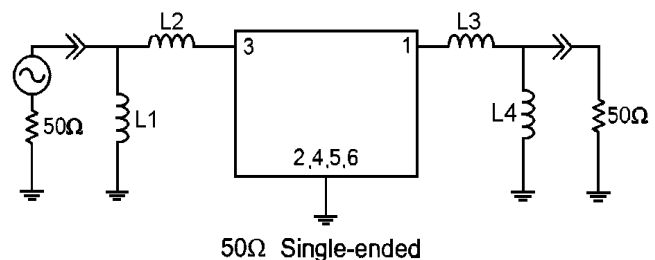
### Specification

Parameter	Unit	Min.	Typ.	Max.
Center Frequency	MHz	-	145.00	-
Insertion Loss	dB	-	32.20	34.00
1dB Bandwidth	MHz	30.00	30.18	-
3dB Bandwidth	MHz	-	30.52	-
20dB Bandwidth	MHz	-	31.51	-
40dB Bandwidth	MHz	-	31.95	32.10
Passband Ripple( $F_c \pm 14.52$ MHz)	dB	-	0.60	1.00
Group Delay Variation( $F_c \pm 14.52$ MHz)	nsec	-	30	50
Absolute Delay	$\mu$ sec	-	3.00	-
Ultimate Attenuation	dB	-	50	-
Substrate Material	-	112- LiTaO <sub>3</sub>		
Temperature Coefficient	ppm/ $^{\circ}$ C	-20		

### Package Dimension



### Matching Configuration



L1=82nH, L2=82nH, L3=82nH, L4=100nH  
 Source / Load Impedance = 50Ω  
 Ambient Temperature = 25°C

Rev0. 091105

