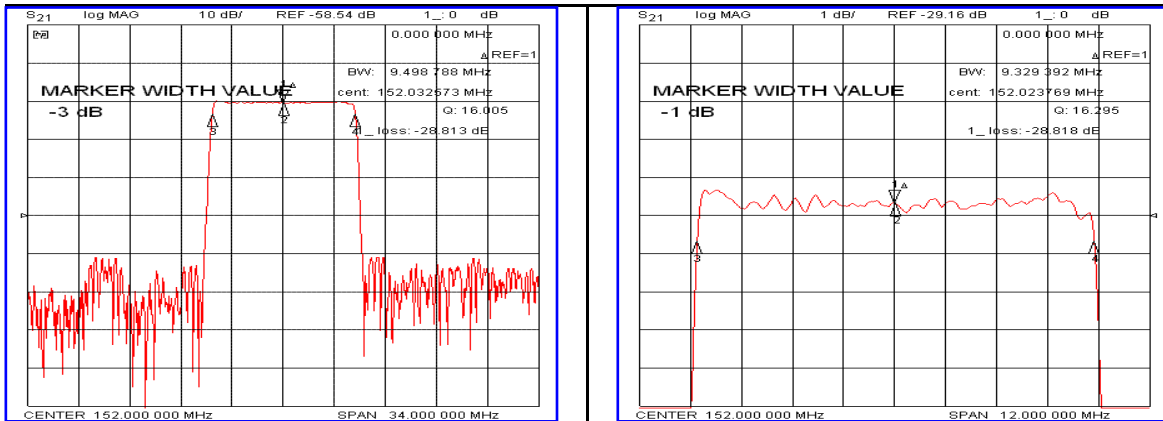


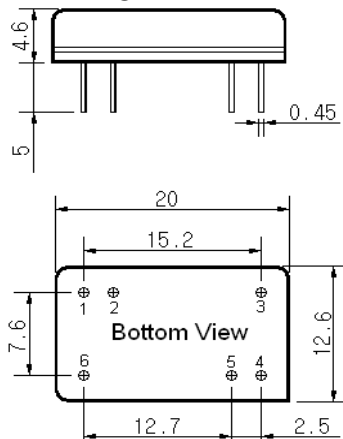
Typical Performance



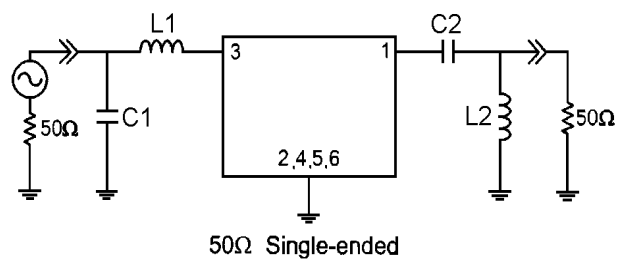
Specification

Parameter	Unit	Min.	Typ.	Max.
Center Frequency	MHz	-	152.00	-
Insertion Loss	dB	-	28.80	30.50
1dB Bandwidth	MHz	9.10	9.32	-
40dB Bandwidth	MHz	-	10.48	10.60
Passband Ripple($F_c \pm 4.5\text{MHz}$)	dB	-	0.75	1.20
Ultimate Attenuation	dB	40	43	-
Absolute Delay	μsec	-	2.51	-
Relative Attenuation				
147.5M-1.0MHz Point	dB	-	45	-
156.5M+0.555MHz Point	dB	-	22	-
Substrate Material	-	112-LiTaO ₃		
Temperature Coefficient	ppm/ $^{\circ}\text{C}$	-20		

Package Dimension



Matching Configuration



L1=10nH, L2=15nH, L3=47nH, C1=150pF
 Source / Load Impedance = 50Ω
 Ambient Temperature = 25°C

Rev 0. 120328

