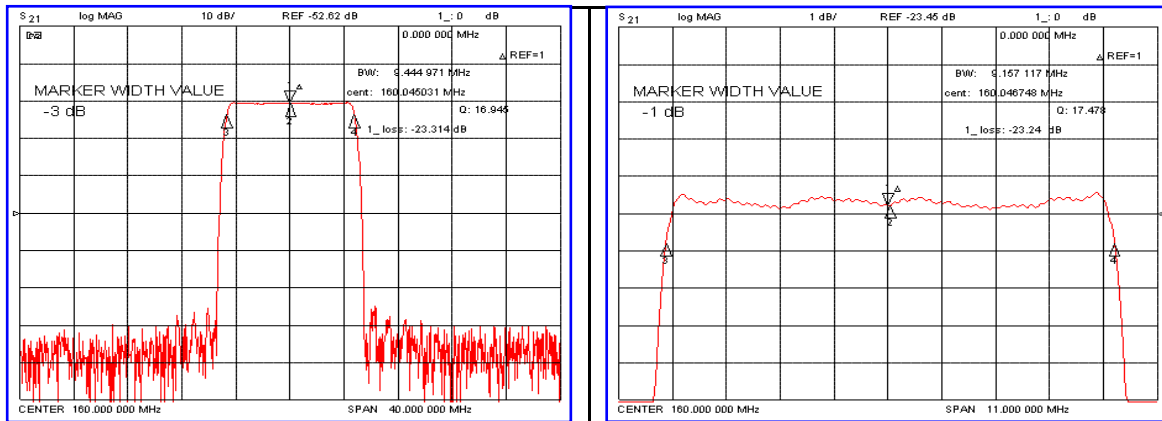


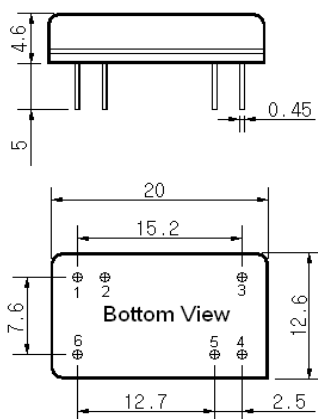
Typical Performance



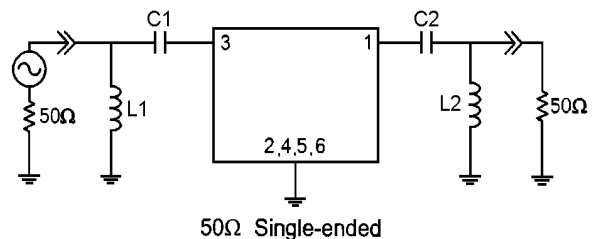
Specification

Parameter	Unit	Min.	Typ.	Max.
Center Frequency (Fc)	MHz	159.80	160.00	160.20
Insertion Loss	dB	-	23.30	25.00
1dB Bandwidth	MHz	8.90	9.15	-
3dB Bandwidth	MHz	-	9.44	-
40dB Bandwidth	MHz	-	10.70	10.90
Passband Ripple (fo+/-4.305MHz)	dB	-	0.50	1.00
Group Delay Variation (fo+/-4.305MHz)	nsec	-	56	70
Absolute Delay	µsec	-	2.67	-
Ultimate Attenuation	dB	50	53	-
Substrate Material	-	112-LiTaO ₃		
Temperature Coefficient	ppm/°C	-20		

Package Dimension



Matching Configuration



L1=L2=22nH , C1=C2=160pF
 Source / Load Impedance = 50Ω
 Ambient Temperature = 25°C

