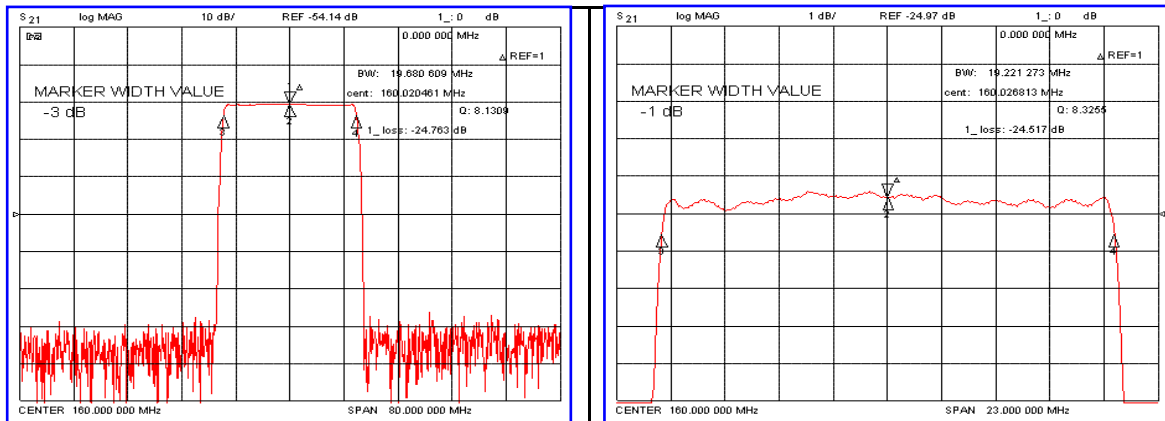


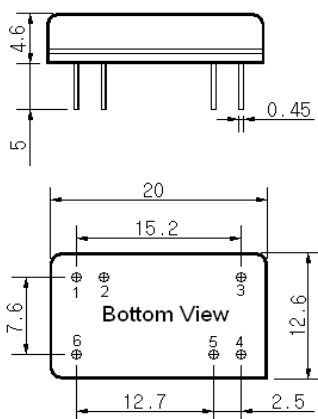
Typical Performance



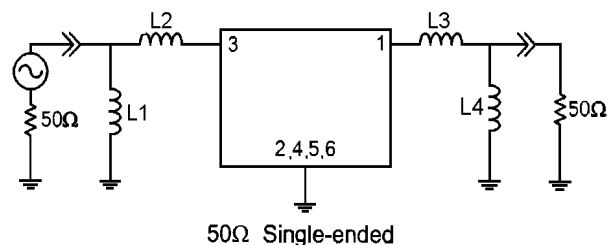
Specification

Parameter	Unit	Min.	Typ.	Max.
Center Frequency (Fc)	MHz	159.80	160.00	160.20
Insertion Loss	dB	-	24.70	26.00
1dB Bandwidth	MHz	19.00	19.22	-
3dB Bandwidth	MHz	-	19.68	-
40dB Bandwidth	MHz	-	21.47	22.00
Passband Ripple (fo+/-9.375MHz)	dB	-	0.50	1.00
Group Delay Variation (fo+/-9.375MHz)	nsec	-	29	50
Absolute Delay	µsec	-	2.51	-
Ultimate Attenuation	dB	50	57	-
Substrate Material	-	112-LiTaO ₃		
Temperature Coefficient	ppm/°C	-20		

Package Dimension



Matching Configuration



L1=18nH, L2=L3=12nH, L4=22nH
 Source / Load Impedance = 50Ω
 Ambient Temperature = 25°C

