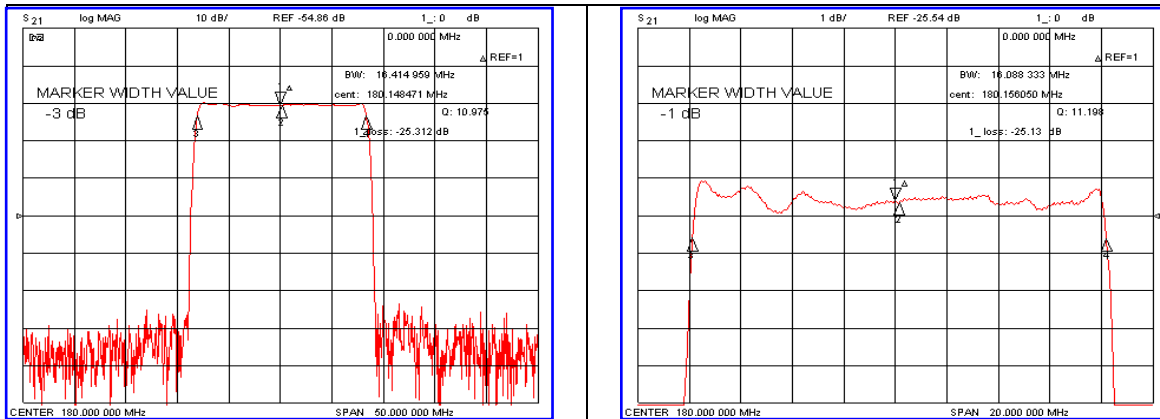


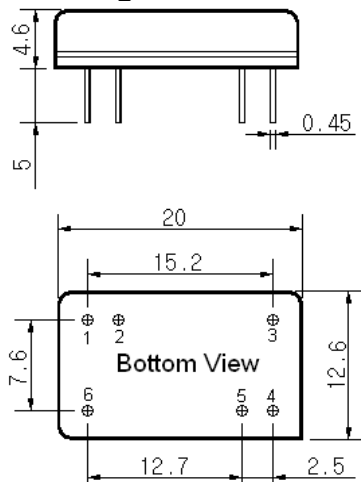
### Typical Performance



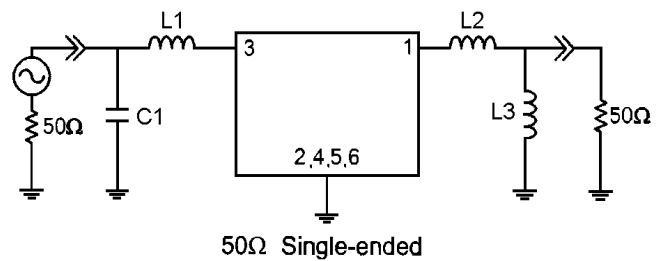
### Specification

Parameter	Unit	Min.	Typ.	Max.
Center Frequency	MHz	-	180.00	-
Insertion Loss	dB	-	25.50	27.00
1dB Bandwidth	MHz	16.00	16.08	-
3dB Bandwidth	MHz	-	16.41	-
50dB Bandwidth	MHz	-	18.00	18.10
Passband Ripple( $F_c \pm 7.5\text{MHz}$ )	dB	-	0.85	1.00
Group Delay Variation( $F_c \pm 7.5\text{MHz}$ )	nsec	-	50	100
Absolute Delay	$\mu\text{sec}$	-	2.77	-
Ultimate Attenuation	dB	50	54	-
Substrate Material	-	112- LiTaO <sub>3</sub>		
Temperature Coefficient	ppm/ $^{\circ}\text{C}$	-20		

### Package Dimension



### Matching Configuration



L1=39nH, L2=3.9nH, L3=15nH, C1=39pF  
 Source / Load Impedance = 50 $\Omega$   
 Ambient Temperature = 25 $^{\circ}\text{C}$

Rev0. 091120

