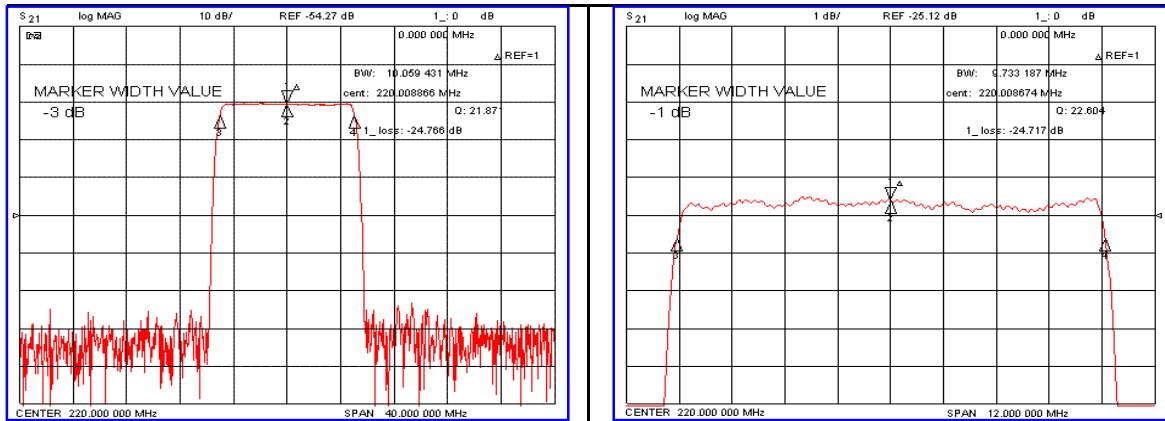


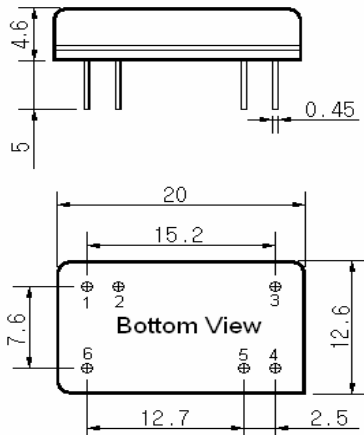
Typical Performance



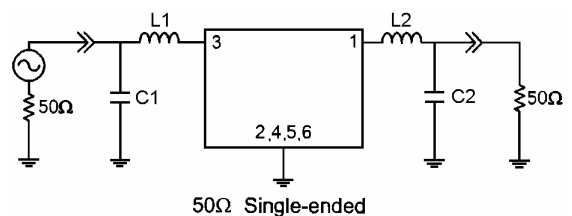
Specification

Parameter	Unit	Min.	Typ.	Max.
Center Frequency (fo)	MHz	-	220.00	-
Insertion Loss	dB	-	24.80	26.00
1dB Bandwidth	MHz	9.46	9.73	-
3dB Bandwidth	MHz	-	10.06	-
40dB Bandwidth	MHz	-	11.35	11.46
Passband Ripple (fo±4.73MHz)	dB	-	0.80	1.20
Group Delay Variation (fo±4.73MHz)	nsec	-	60	80
Absolute Delay	µsec	-	2.80	-
Relative Attenuation fo ±5.73MHz	dB	-	48	-
Substrate Material	-	LiTaO ₃		
Temperature Coefficient	ppm/°C	-20		

Package Dimension



Matching Configuration



L1=15nH, L2=15nH, C1=36pF, C2=39pF
 Source / Load Impedance = 50Ω
 Ambient Temperature = 25°C

Rev 0. 070607

