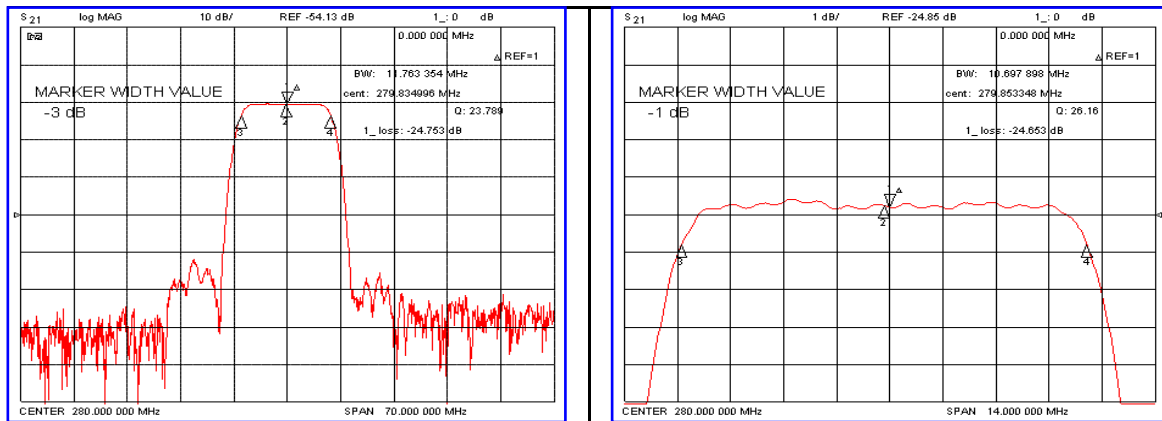


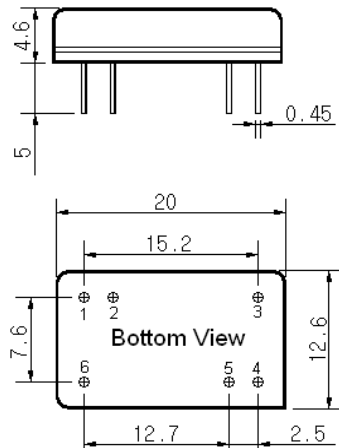
Typical Performance



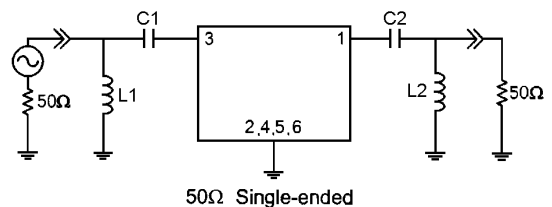
Specification

Parameter	Unit	Min.	Typ.	Max.
Center Frequency	MHz	-	280	-
Insertion Loss	dB	-	25.00	27.00
1dB Bandwidth	MHz	-	10.69	-
3dB Bandwidth	MHz	11.50	11.76	-
40dB Bandwidth	MHz	-	16.55	17.00
Passband Ripple ($F_o \pm 5.0\text{MHz}$)	dB	-	0.75	1.00
Group Delay Variation ($F_o \pm 5.0\text{MHz}$)	nsec	-	30	50
Absolute Delay	μsec	-	0.65	-
Relative Attenuation $F_o \pm 8.5\text{MHz}$	dB	-	42	-
Substrate Material	-	LiTaO ₃		
Temperature Coefficient	ppm/ $^{\circ}\text{C}$	-20		

Package Dimension



Matching Configuration



L1=27nH, L2=33nH, C1=16pF, C2=18pF
 Source / Load Impedance = 50Ω
 Ambient Temperature = 25°C

Rev0. 070210

