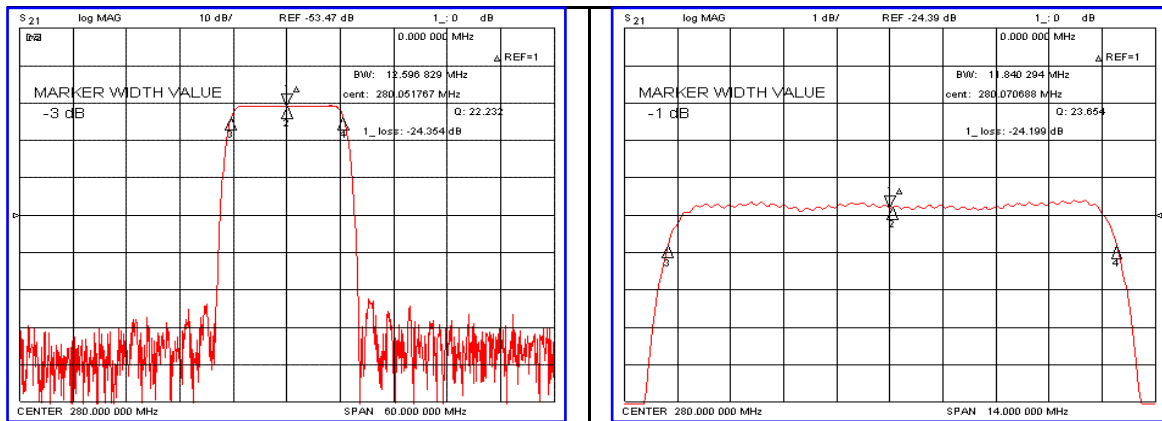


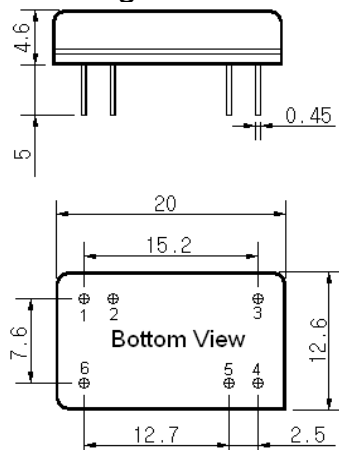
Typical Performance



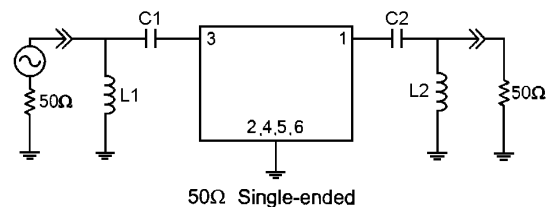
Specification

Parameter	Unit	Min.	Typ.	Max.
Center Frequency	MHz	-	280	-
Insertion Loss	dB	-	24.50	26.00
1dB Bandwidth	MHz	-	11.84	-
3dB Bandwidth	MHz	12.40	12.59	-
40dB Bandwidth	MHz	-	15.55	15.70
Passband Ripple ($F_c \pm 5.0\text{MHz}$)	dB	-	0.50	1.00
Group Delay Variation ($F_c \pm 5.0\text{MHz}$)	nsec	-	18	30
Absolute Delay	μsec	-	1.70	-
Relative Attenuation ($F_c \pm 8.5\text{MHz}$)	dB	-	55	-
Substrate Material	-	LiTaO ₃		
Temperature Coefficient	ppm/ $^{\circ}\text{C}$	-20		

Package Dimension



Matching Configuration



L1=15nH, L2=15nH, C1=24pF, C2=27pF
 Source / Load Impedance = 50 Ω
 Ambient Temperature = 25 $^{\circ}\text{C}$

Rev0. 070223

