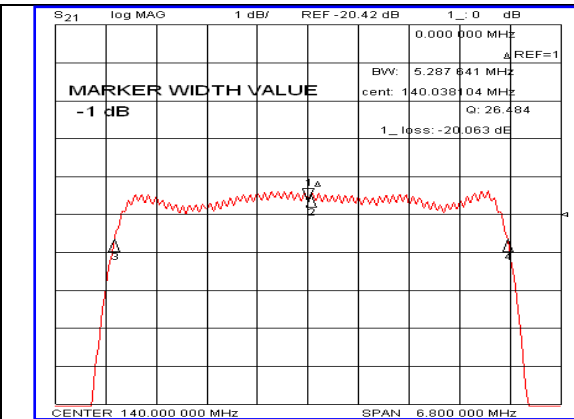
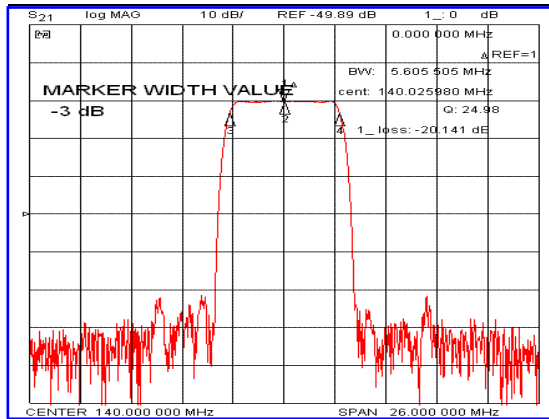


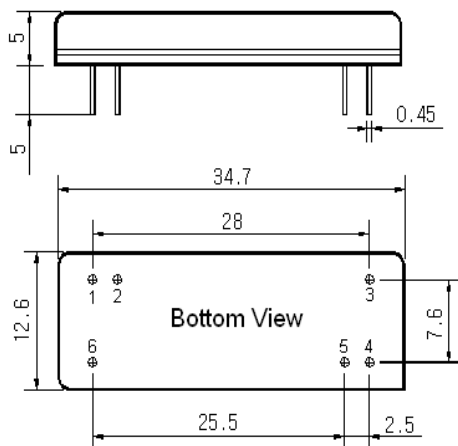
Typical Performance



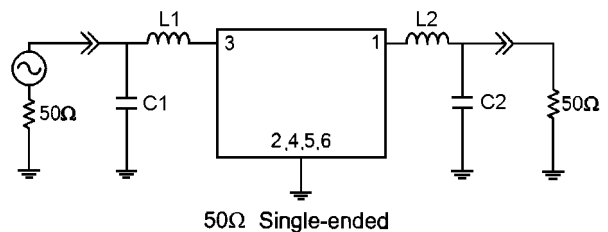
Specification

Parameter	Unit	Min.	Typ.	Max.
Center Frequency	MHz	139.90	140.00	140.10
Insertion Loss	dB	-	20.20	23.00
1dB Bandwidth	MHz	5.16	5.28	-
3dB Bandwidth	MHz	5.40	5.60	-
20dB Bandwidth	MHz	-	6.55	6.70
40dB Bandwidth	MHz	-	6.94	7.05
50dB Bandwidth	MHz	-	7.08	7.20
Return Loss (1dB Bandwidth)	dB	5	7	-
Passband Ripple	dB	-	0.70	1.20
Absolute Delay	μsec	-	5.51	-
Power Handling	dBm	-	-	10
Ultimate Attenuation	dB	47	51	-
Temperature Coefficient	ppm/°C	-	-20	-

Package Dimension



Matching Configuration



L1=33nH, L2=27nH, C1=56pF, C2=62pF
 Source / Load Impedance = 50Ω
 Ambient Temperature = 25°C

Rev.0 120724

