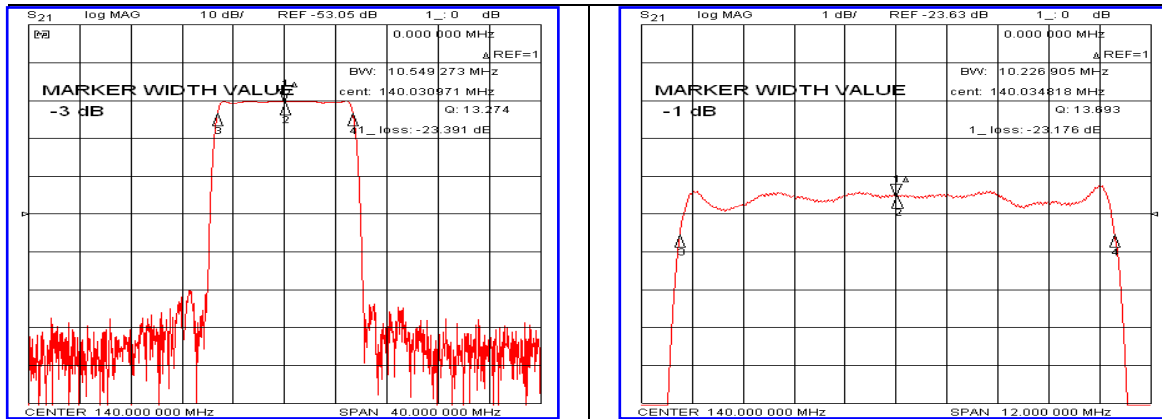


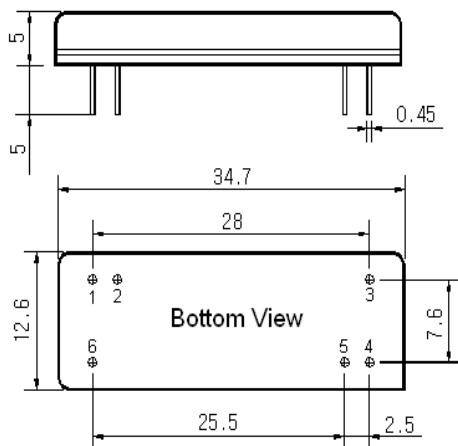
### Typical Performance



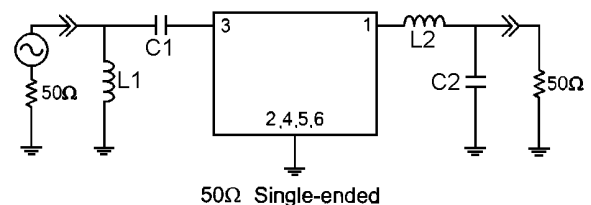
### Specification

Parameter	Unit	Min.	Typ.	Max.
Center Frequency	MHz	139.90	140.00	140.10
Insertion Loss	dB	-	23.50	25.50
1dB Bandwidth	MHz	10.16	10.22	-
3dB Bandwidth	MHz	10.40	10.54	-
20dB Bandwidth	MHz	-	11.50	11.60
40dB Bandwidth	MHz	-	11.95	12.05
50dB Bandwidth	MHz	-	12.14	12.25
Return Loss ( 1dB Bandwidth )	dB	5	8	-
Passband Ripple	dB	-	0.70	1.20
Absolute Delay	μsec	-	5.51	-
Power Handling	dBm	-	-	10
Ultimate Attenuation	dB	47	50	-
Temperature Coefficient	ppm/°C	-	-20	-

### Package Dimension



### Matching Configuration



L1=27nH, L2=47nH, C1=300pF, C2=56pF  
 Source / Load Impedance = 50Ω  
 Ambient Temperature = 25°C

Rev.0 120724

