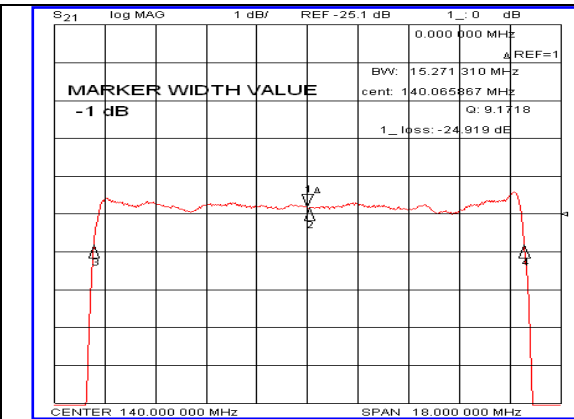
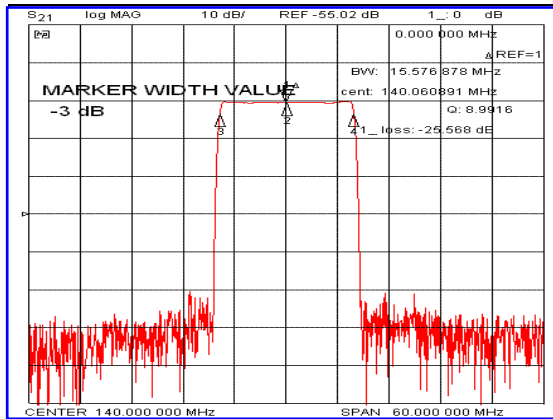


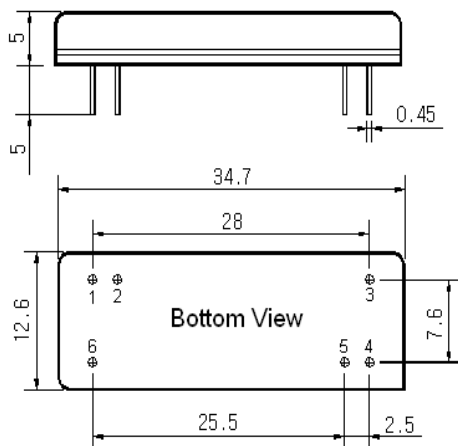
Typical Performance



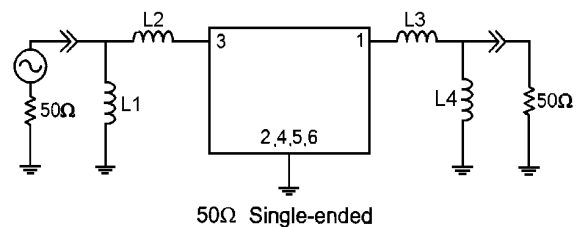
Specification

Parameter	Unit	Min.	Typ.	Max.
Center Frequency	MHz	139.90	140.00	140.10
Insertion Loss	dB	-	25.50	27.50
1dB Bandwidth	MHz	15.16	15.27	-
3dB Bandwidth	MHz	15.40	15.57	-
20dB Bandwidth	MHz	-	16.50	16.60
40dB Bandwidth	MHz	-	16.91	17.00
50dB Bandwidth	MHz	-	17.05	17.20
Return Loss (1dB Bandwidth)	dB	5	8	-
Passband Ripple	dB	-	0.65	1.20
Absolute Delay	μsec	-	5.51	-
Power Handling	dBm	-	-	10
Ultimate Attenuation	dB	47	50	-
Temperature Coefficient	ppm/°C	-	-20	-

Package Dimension



Matching Configuration



L1=27nH, L2=8.2nH, L3=8.2nH, L4=22nH
 Source / Load Impedance = 50Ω
 Ambient Temperature = 25°C

Rev.0 120828

