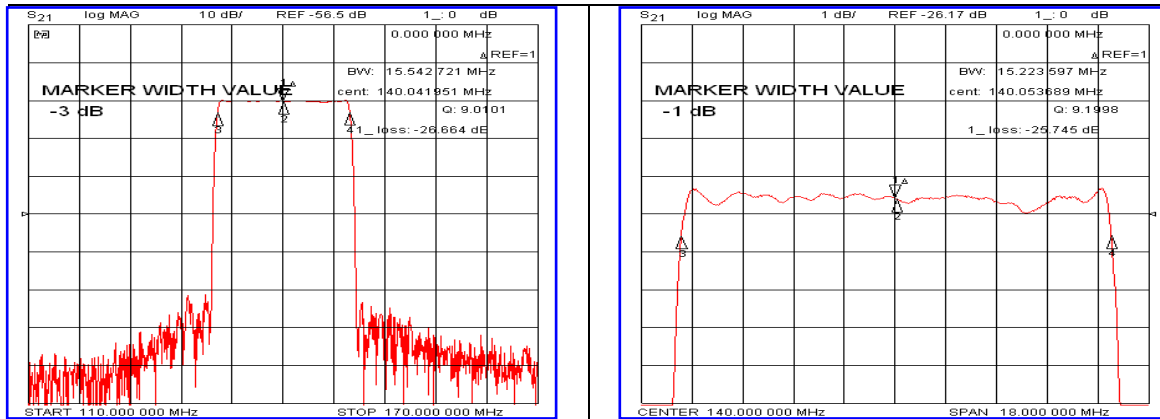


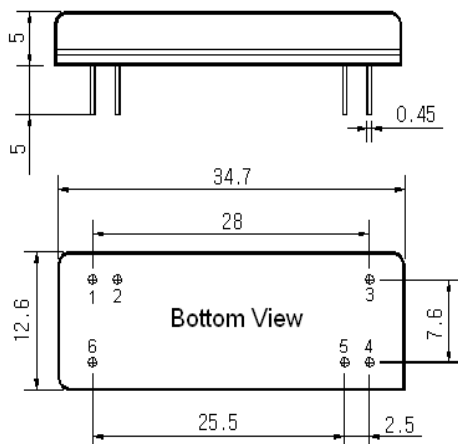
Typical Performance



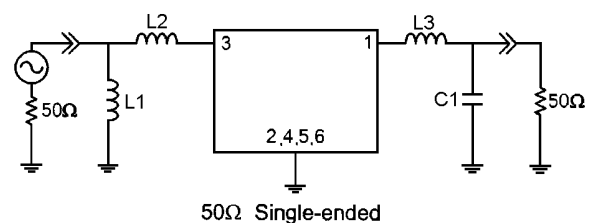
Specification

| Parameter | Unit | Min. | Typ. | Max. |
|-------------------------------|--------|--------|--------|--------|
| Center Frequency | MHz | 139.90 | 140.00 | 140.10 |
| Insertion Loss | dB | - | 26.50 | 28.50 |
| 1dB Bandwidth | MHz | 15.16 | 15.22 | - |
| 3dB Bandwidth | MHz | 15.40 | 15.54 | - |
| 20dB Bandwidth | MHz | - | 16.50 | 16.60 |
| 40dB Bandwidth | MHz | - | 16.90 | 17.00 |
| 50dB Bandwidth | MHz | - | 17.05 | 17.20 |
| Return Loss (1dB Bandwidth) | dB | 5 | 8 | - |
| Passband Ripple | dB | - | 0.70 | 1.20 |
| Absolute Delay | μsec | - | 6.51 | - |
| Power Handling | dBm | - | - | 10 |
| Ultimate Attenuation | dB | 47 | 51 | - |
| Temperature Coefficient | ppm/°C | - | -20 | - |

Package Dimension



Matching Configuration



L1=22nH, L2=10nH, L3=56nH, C1=47pF
 Source / Load Impedance = 50Ω
 Ambient Temperature = 25°C

Rev.0 120724

