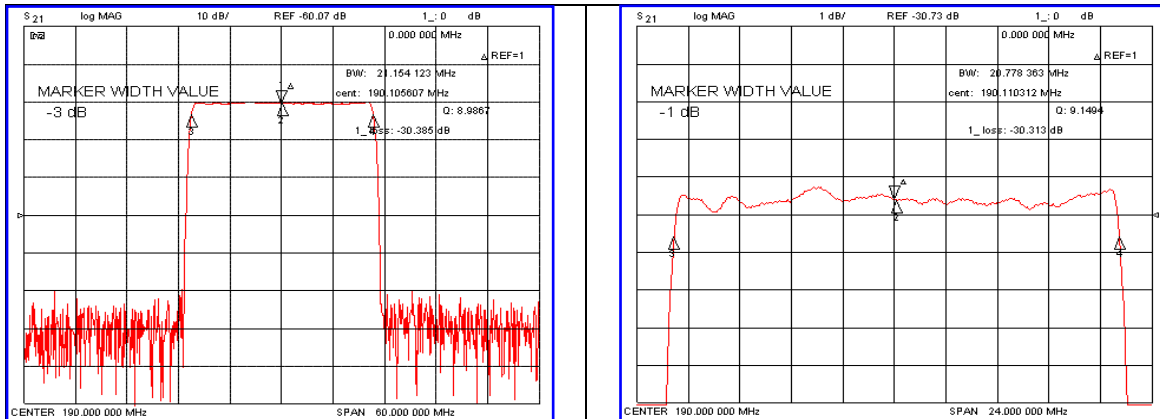


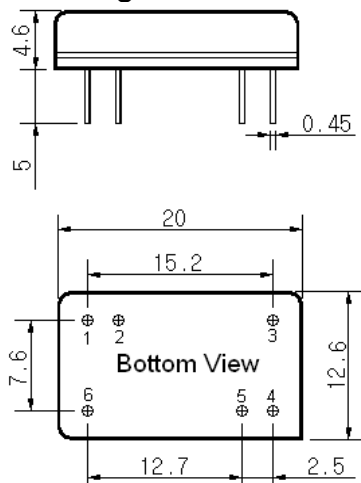
Typical Performance



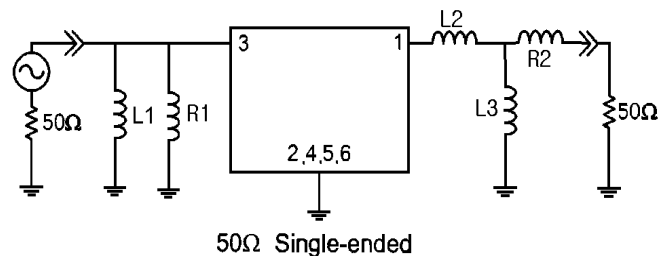
Specification

Parameter	Unit	Min.	Typ.	Max.
Center Frequency	MHz	189.80	190.00	190.20
Insertion Loss	dB	-	30.50	32.00
1dB Bandwidth	MHz	-	20.77	-
3dB Bandwidth	MHz	21.00	21.15	-
50dB Bandwidth	MHz	-	22.85	23.00
Passband Ripple	dB	-	0.70	1.20
Group Delay Variation	nsec	-	50	100
Absolute Delay	μsec	-	2.51	-
Ultimate Attenuation	dB	46	50	-
Substrate Material	-	112- LiTaO ₃		
Temperature Coefficient	ppm/°C	-20		

Package Dimension

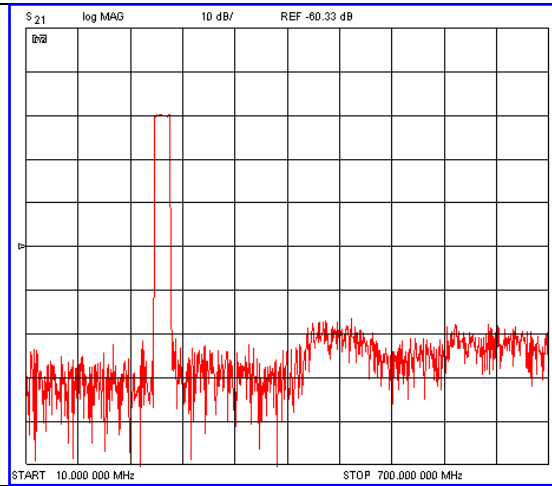
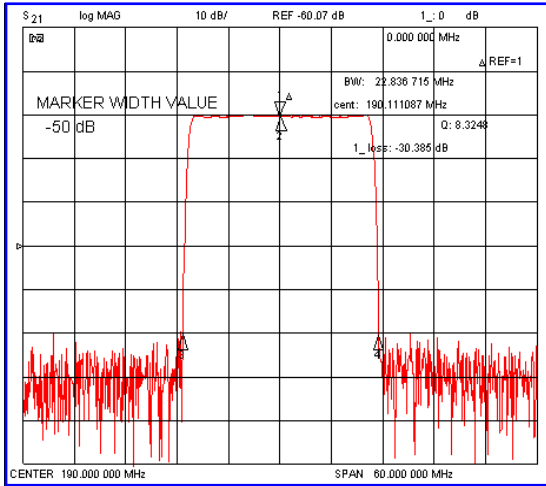


Matching Configuration



$L1=18\text{nH}$, $L2=10\text{nH}$, $L3=12\text{nH}$, $R1=120\Omega$, $R2=18\Omega$
 Source / Load Impedance = 50Ω
 Ambient Temperature = 25°C

Rev0. 100325



Return Loss

