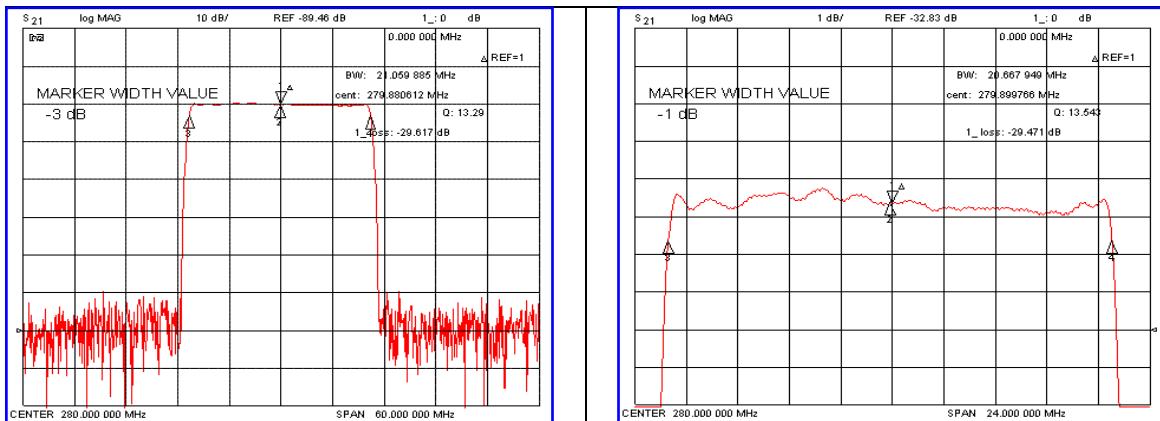


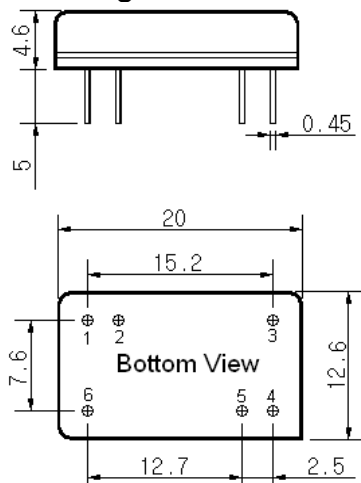
Typical Performance



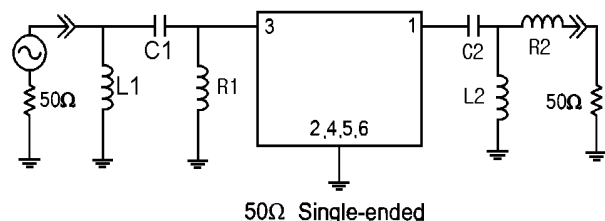
Specification

Parameter	Unit	Min.	Typ.	Max.
Center Frequency	MHz	279.80	280.00	280.20
Insertion Loss	dB	-	29.80	31.50
1dB Bandwidth	MHz	-	20.66	-
3dB Bandwidth	MHz	20.90	21.05	-
40dB Bandwidth	MHz	-	22.75	22.90
Passband Ripple	dB	-	0.75	1.20
Group Delay Variation	nsec	-	50	100
Absolute Delay	μsec	-	2.21	-
Ultimate Attenuation	dB	46	50	-
Substrate Material	-	112- LiTaO ₃		
Temperature Coefficient	ppm/°C	-20		

Package Dimension

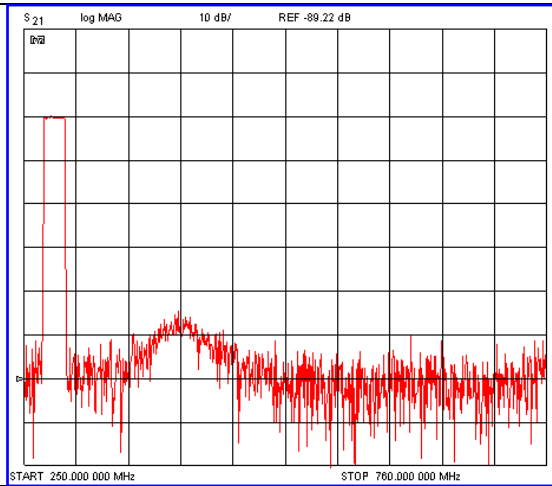
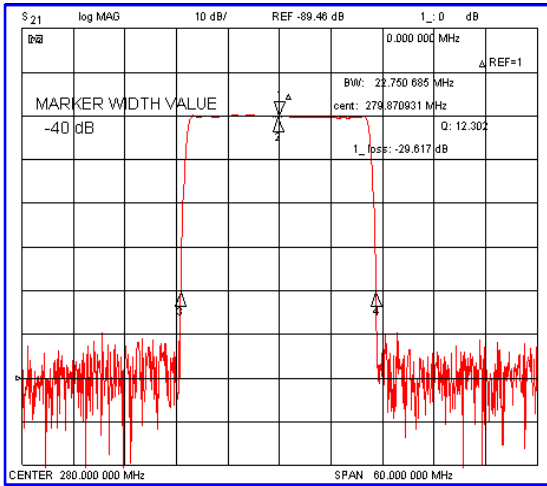


Matching Configuration



$L1=10\text{nH}$, $L2=8.2\text{nH}$, $R1=51\ \Omega$, $R2=18\ \Omega$,
 $C1=33\text{pF}$, $C2=62\text{pF}$
 Source / Load Impedance = 50Ω
 Ambient Temperature = 25°C

Rev0. 100325



Return Loss

